

Map Podium

Podium maps are placed at major campus pedestrian crossroads to aid campus users in finding routes to locations on campus. The Stanford University Architect/Planning Office, in collaboration with the original fabricator, designed podium cases to be durable, low maintenance, and ADA accessible. An angled top makes map reading easy for both pedestrians and wheelchair users, and allows rainwater and dirt to drain from the map surface. Each year, prior to the beginning of classes in the fall, the Facilities Operations department compares current campus conditions to those on existing maps. If changes are significant, Facilities replaces old maps with new to represent the latest physical changes to campus buildings and circulation systems .

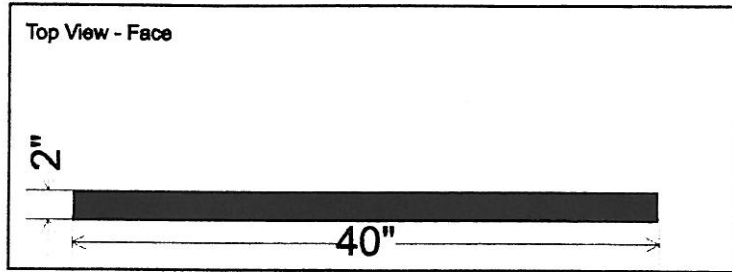
Model/Manufacturer:

Custom map podium, Corporate Sign Systems, San Jose, CA, 408-292-1600.

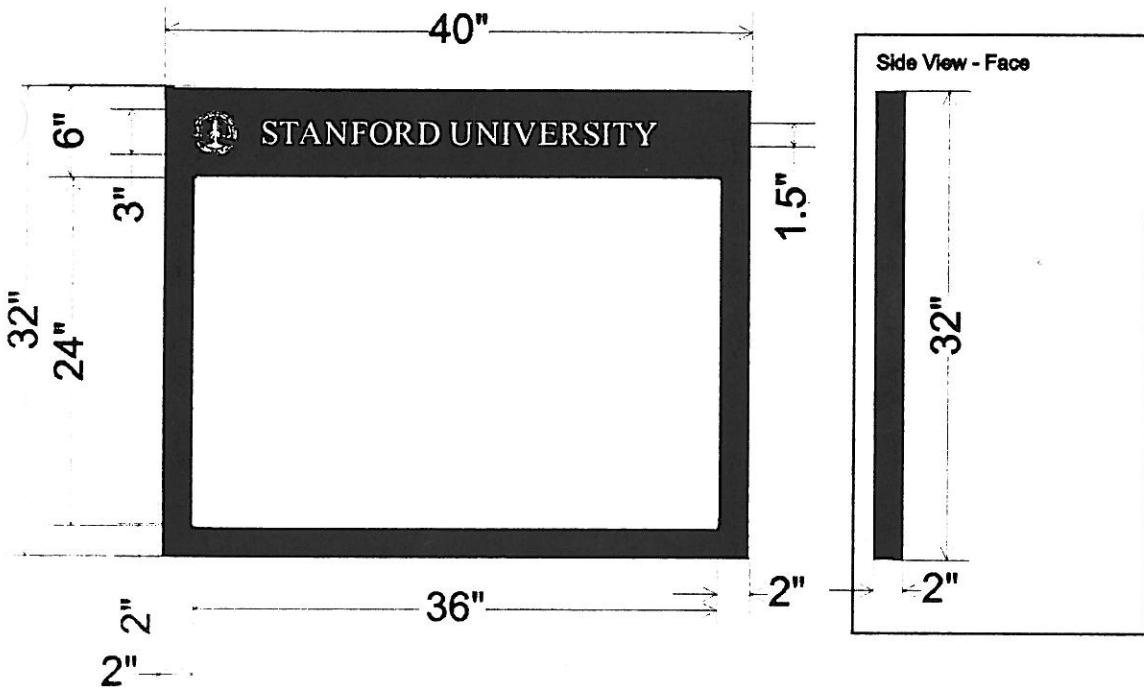


Stanford University Map Podium - Face

Sign Source of Calif., Inc 8/23/99



Materials:
Cabinet - 1/8" thick Aluminum
Paint - Cardinal Satin Black
Acrylic Polyurethane
Logo - Epoxy ink silkscreen - 3" X 3"
Letters - Refl White Vinyl
Font - Times Roman - 1 1/2" Cap Height



News Rack

Concourse series

The Architect/Planning Office coordinates news rack consolidation and new rack placement, to reduce clutter and ensure circulation routes are kept free of randomly placed individual racks. The Concourse series news rack is designated as the campus standard. It can be installed as a single or double high set of racks, and can be single or double sided. A concrete pad below the racks is needed for anchoring. Both commercial publications and Stanford papers may be represented, as space and user demand allows.

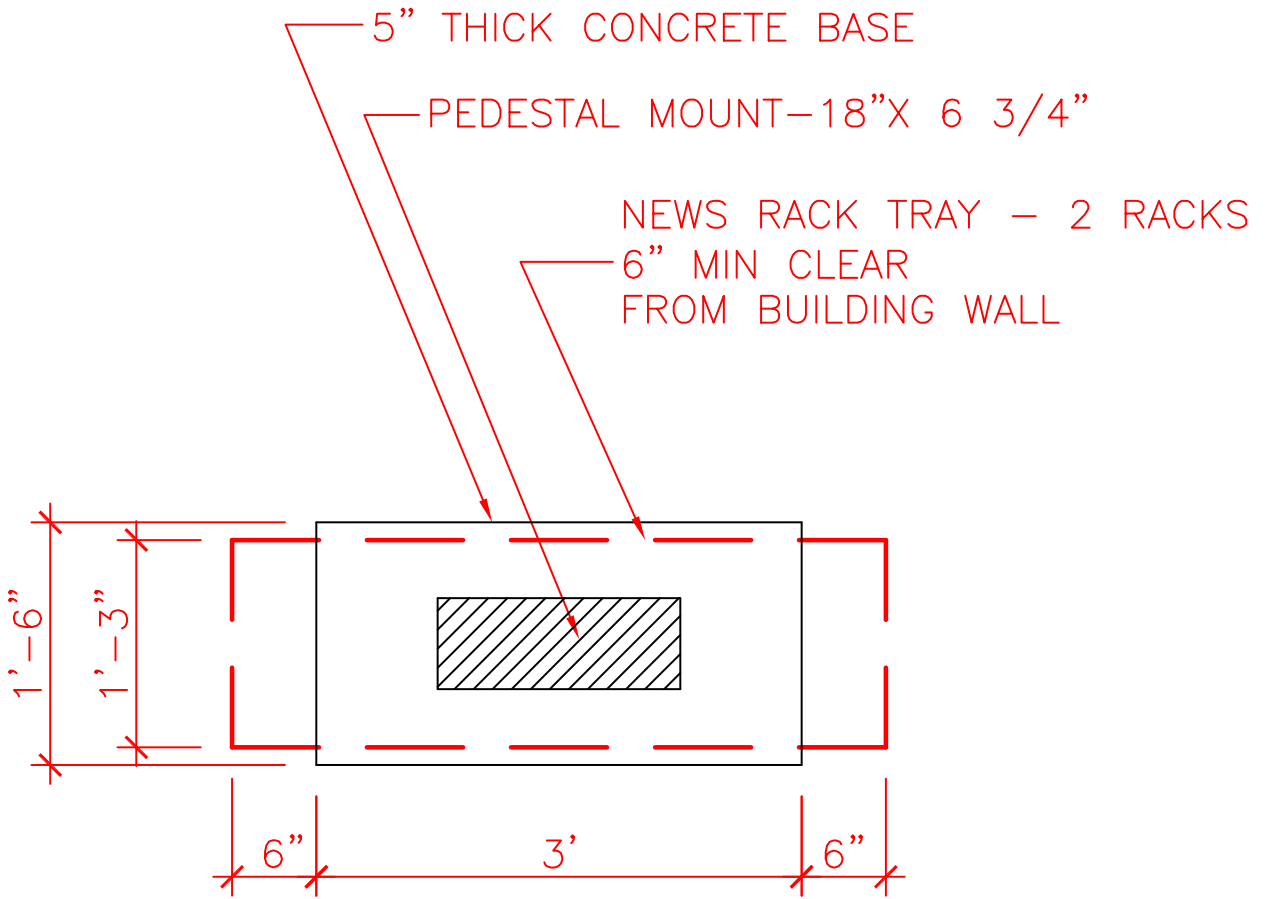
Specifications:

- Color: Low-sheen Carbon Black, Kelly Moore #1245-407, or equal if approved.
- Graphics to be installed below glass surface, white letters only.
- Installed generally using modules of 2, 4, and 6 news boxes.
- Mount according to the manufacturer's specifications onto a concrete surface.
- Preferably installed to maximize public use and minimize visual impact, in areas of high pedestrian traffic.

Manufacturer / Model:

SHO-Rack by Kaspar Wire Works, Inc. 1-800-527-1134, Model: "Concourse."





C:\Plan-serv\CAD_Planning\2CampusStandards\SiteFurnishings\CurrentSpecs\CAD



NEWSRACK FOUNDATION

Stanford University Architect/Planning Office
Standard Campus Site Furnishings Guidelines

Scale: 1" = 1'-0"

Updated: 2/13/2003

Superseded: 7/25/2001