

# Bench 1

## The Contour Bench

The Contour Bench, suited for urban surroundings, is standard at bus stops. It is generally placed with a campus standard ash and trash can to complete a standard bus stop site furnishing group. It is also used in housing areas in Escondido Village at building entry courts.

### Specifications:

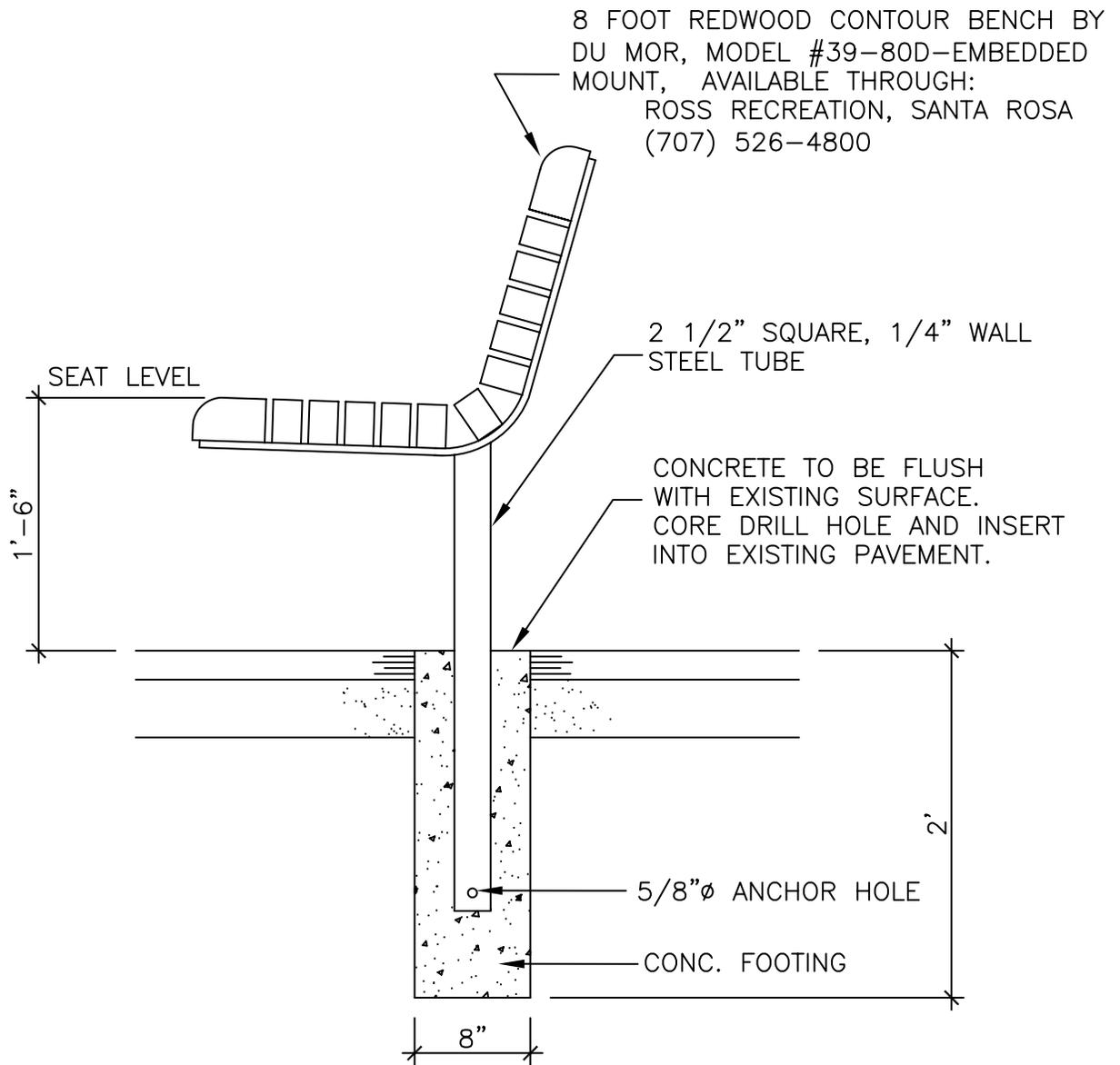
- 8 foot long bench with back support.
- Douglas fir wood members, no finish, with radius edge at seat front and bench back.
- Black square metal supports, embedded in concrete, in ground.
- Installed parallel or perpendicular (where appropriate) to street axis.
- Installed with seat height at 18 inches, level. When installed along walkways, front of bench is aligned vertically with back of walk.

### Model/Manufacturer:

DuMor Bench 39, model # 39-80D, embedded supports, available from Ross Recreation Equipment, Santa Rosa, CA, (707-526-4800), or equal.

Price agreement: 5% discount off trade to Stanford University.





NOTE: 6' BENCH USED AT BUILDING ENTRIES IN HOUSING AREAS.

C:\PLAN-SERV\CAD\_PLANNING\2CAMPUSSTANDARDS\SITEFURNISHINGS\CURRENTSPECS\BENCHCONTOUR\_EXISTINGSURFACE.DWG



## CONTOUR BENCH ON EXISTING SURFACE

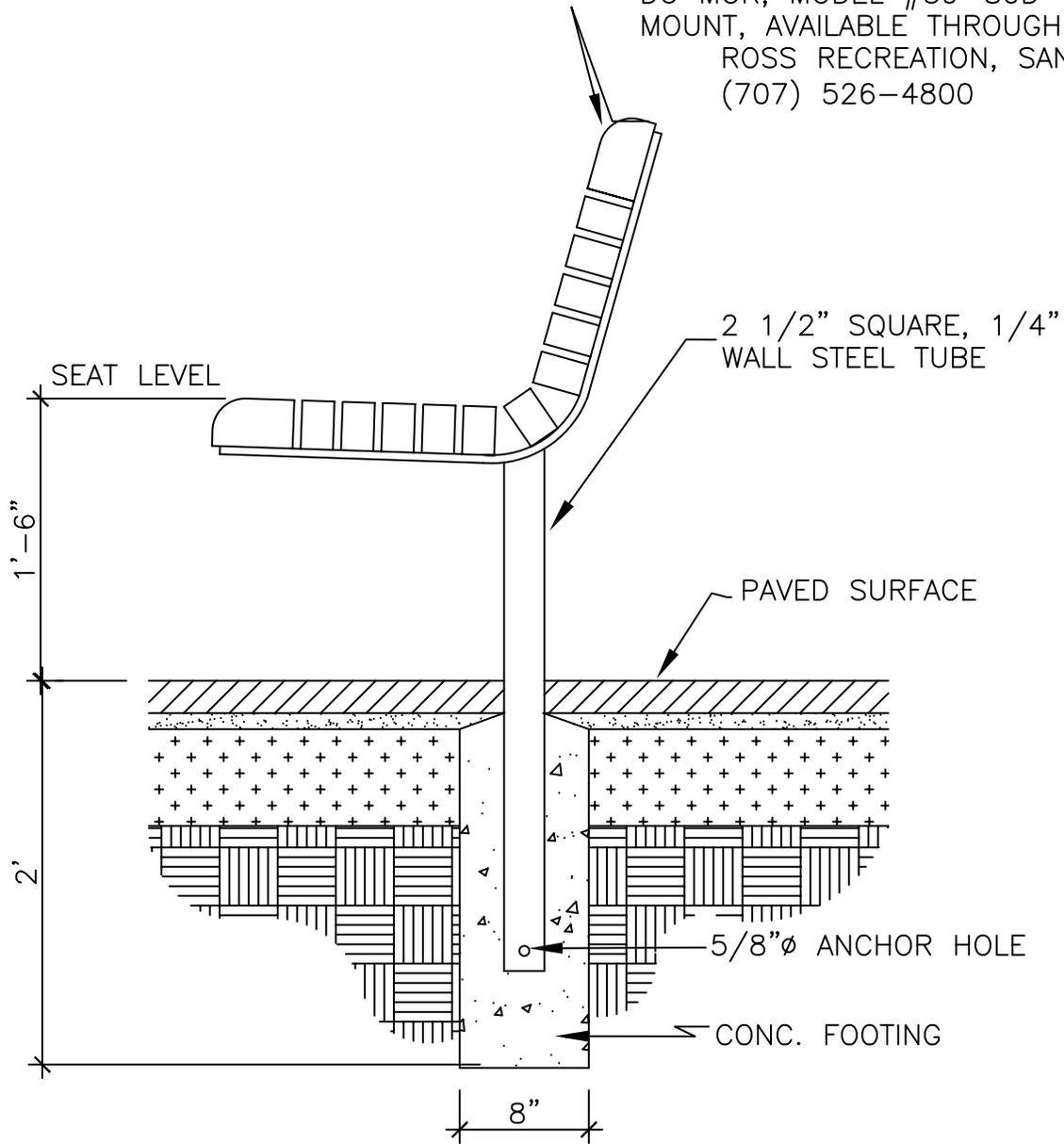
Scale: 1"=1'-0"

Stanford University Architect/Planning Office  
Standard Campus Site Furnishings Guidelines

Updated: 7/25/2001

Superseded: 2/19/1997

8 FOOT REDWOOD CONTOUR BENCH BY  
 DU MOR, MODEL #39-80D-EMBEDDED  
 MOUNT, AVAILABLE THROUGH:  
 ROSS RECREATION, SANTA ROSA  
 (707) 526-4800



NOTE: 6' BENCH USED AT  
 BUILDING ENTRIES IN HOUSING  
 AREAS.

C:\PLAN-SERV\CAD\_PLANNING\2CAMPUSSTANDARDS\SITEFURNISHINGS\CURRENTSPECS\BENCHCONTOUR\_PAVING.DWG



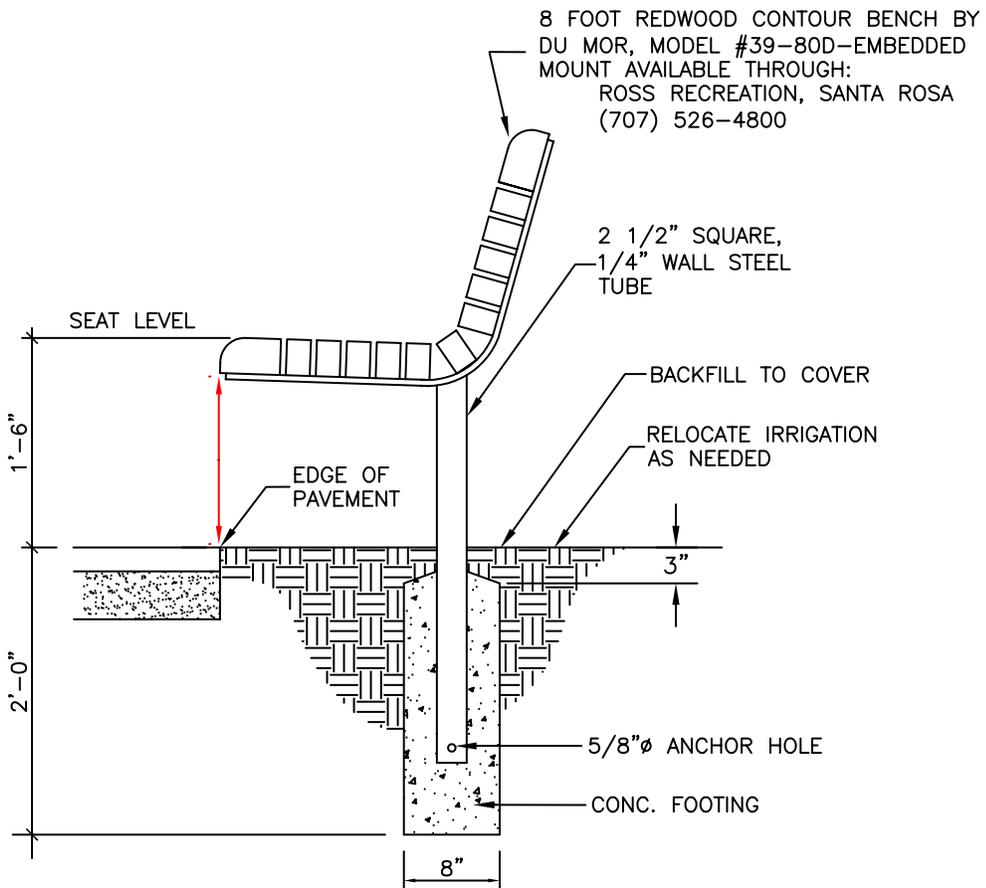
## CONTOUR BENCH IN PAVING

Scale: 1"=1'-0"

Stanford University Architect/Planning Office  
 Standard Campus Site Furnishings Guidelines

Updated: 4/15/2003

Superseded: 7/25/2001



C:\PLAN-SERV\CAD\_PLANNING\2CAMPUSSTANDARDS\SITEFURNISHINGS\CURRENTSPECS\BENCHCONTOUR\_PEDPATH.DWG



CONTOUR BENCH ALONG PEDESTRIAN PATH

Scale: 1"=1'-0"

Stanford University Architect/Planning Office  
Standard Campus Site Furnishings Guidelines

Updated: 4/15/2003

Superseded: 7/25/2001

# Bench 2

## The Courtyard Bench – 6 foot

The six foot long courtyard bench complements smaller scale historic and formal landscapes and buildings. It can be seen in groves and courtyards, and along pathways. It is the bench used continuously along Lasuen and Lomita Mall.

### Specifications:

- 6-foot length.
- Teak wood members, ecologically harvested.
- Attached on new concrete or existing paving surfaces with internal dowels or with anchor bolts, and anchored into decomposed granite with dowels set into poured concrete footings.

### Model/Manufacturer:

'Parkside' bench 6' (#2606) Gardenside Ltd., <http://gardenside.com>, 1-888-999-TEAK (8325), 808 Anthony Street, Berkeley, CA 94710

Contact Mike David at 1-888-999-TEAK (8325) Price agreement: 5% discount off trade to Stanford University.

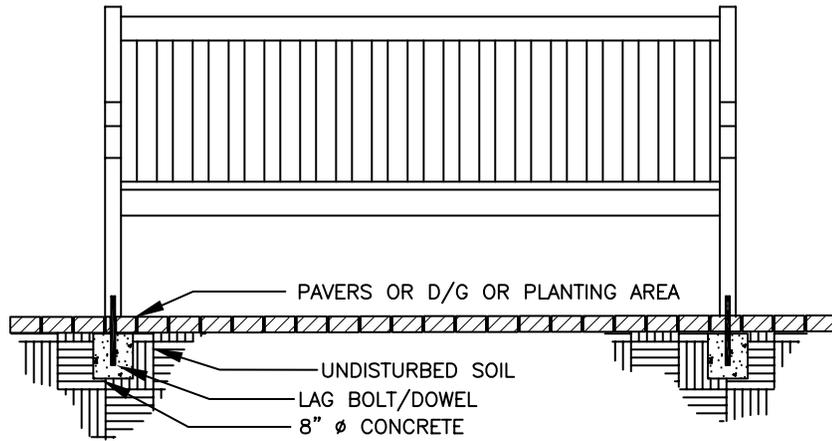
'Brockden' bench 6' (#AL1376-KN) Arthur Lauer, a Greenlife LLC company, <http://arthurlauer.com>, 1-614-799-0144, 21 Whitney Dr. Milford, NY 45150

Contact Amy LaPerre at 586-651-0730

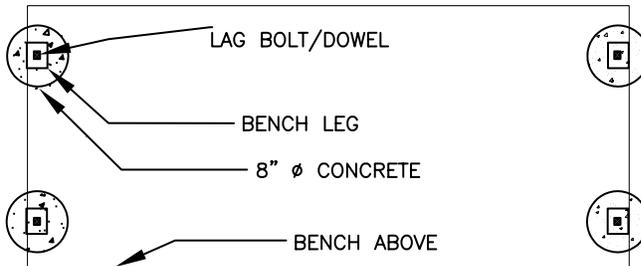
Benches vary slightly. If purchasing 6' and 8' benches, use same manufacturer. See Courtyard 8' fact sheet for 8' bench information.



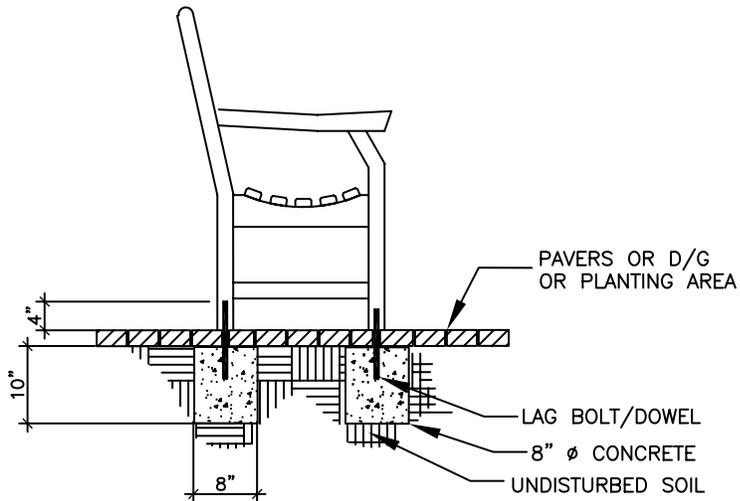
FRONT VIEW • NTS



TOP VIEW • NTS



SIDE VIEW



MOUNTING IN PAVERS, D/G, ASPHALT, OR MULCH PER DETAIL: Drill guide holes in bench legs for 12" lag bolt and screw bolt 4" into legs. Pour concrete into 10" deep post hole, 1" below finished grade, pitch top. Insert bench leg bolts into partially hardened concrete, so legs are level at finished grade. Install surface material over concrete base up to bench leg/finished grade so base is not visible.

MOUNTING IN EXISTING CONCRETE NOTE: Drill guide holes in bench legs for 12" all thread and screw 4" into legs. Drill 8" hole in existing concrete. Epoxy all thread with attached bench into hole and set at finished grade, level bench.

C:\PLAN-SERV\CAD\_PLANNING\2CAMPUSSTANDARDS\SITEFURNISHINGS\CURRENTSPECS\BENCHCOURTYARD\_DOWEL.DWG



COURTYARD BENCH: DOWEL ANCHORED

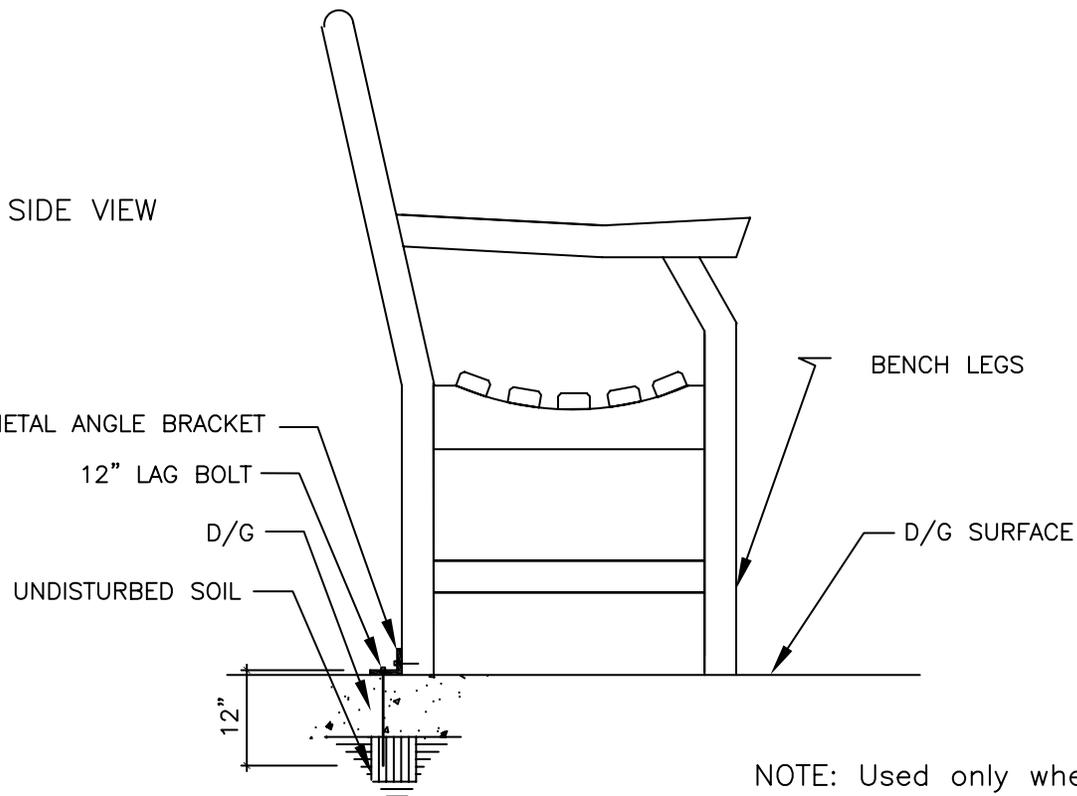
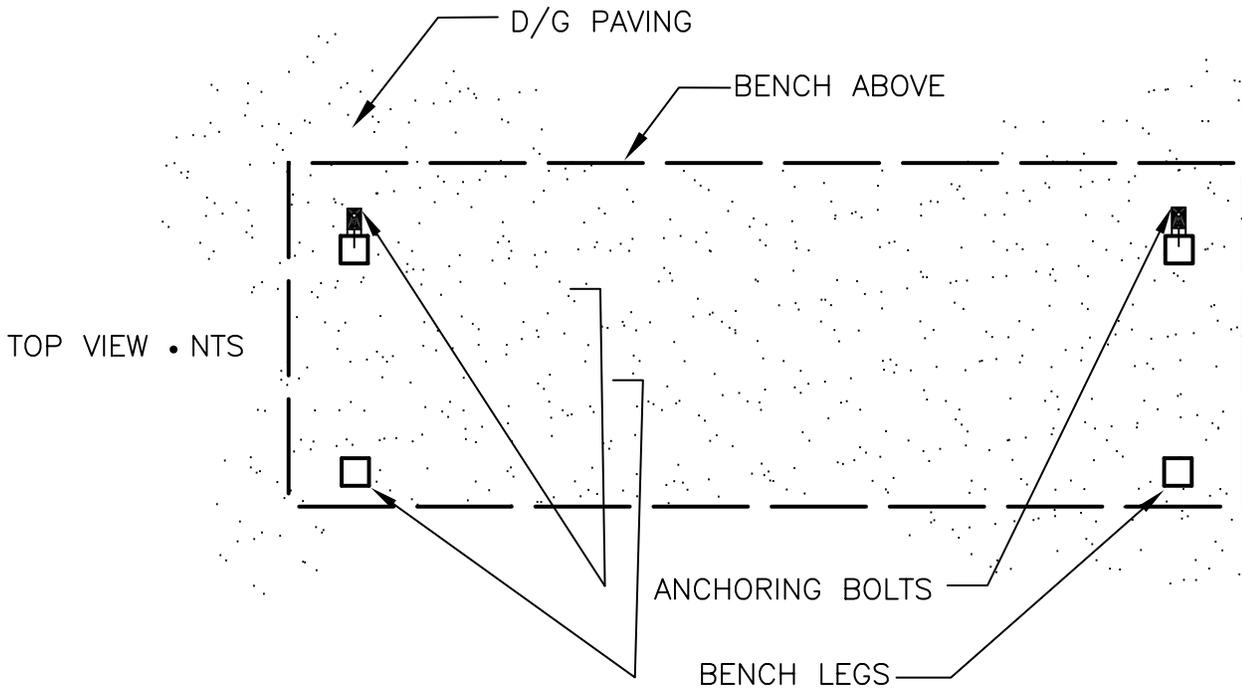
Scale: 1/2" = 1'-0"

Stanford University Architect/Planning Office

Updated: 1/20/2002

Standard Campus Site Furnishings Guidelines

Superseded: 4/1/2001



NOTE: Used only where security needs are minimal

C:\PLAN-SERV\CAD\_PLANNING\2CAMPUSSTANDARDS\SITEFURNISHINGS\CURRENTSPECS\BENCHCOURTYARD\_LAGBOLT.DWG



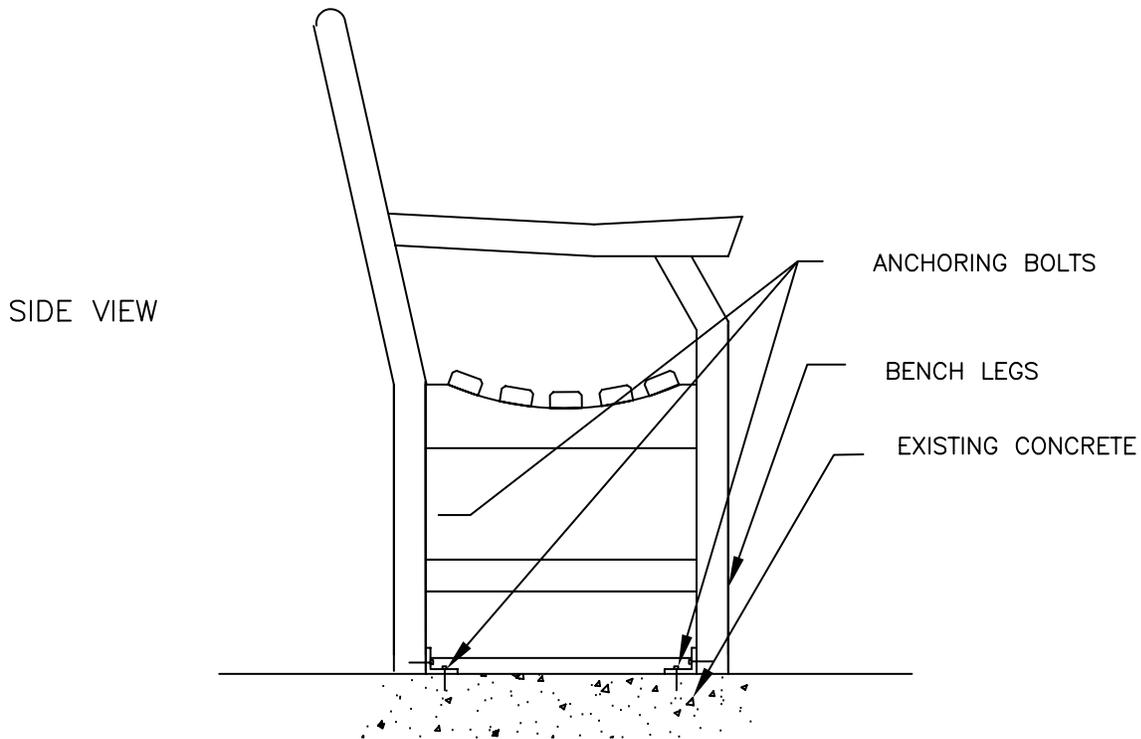
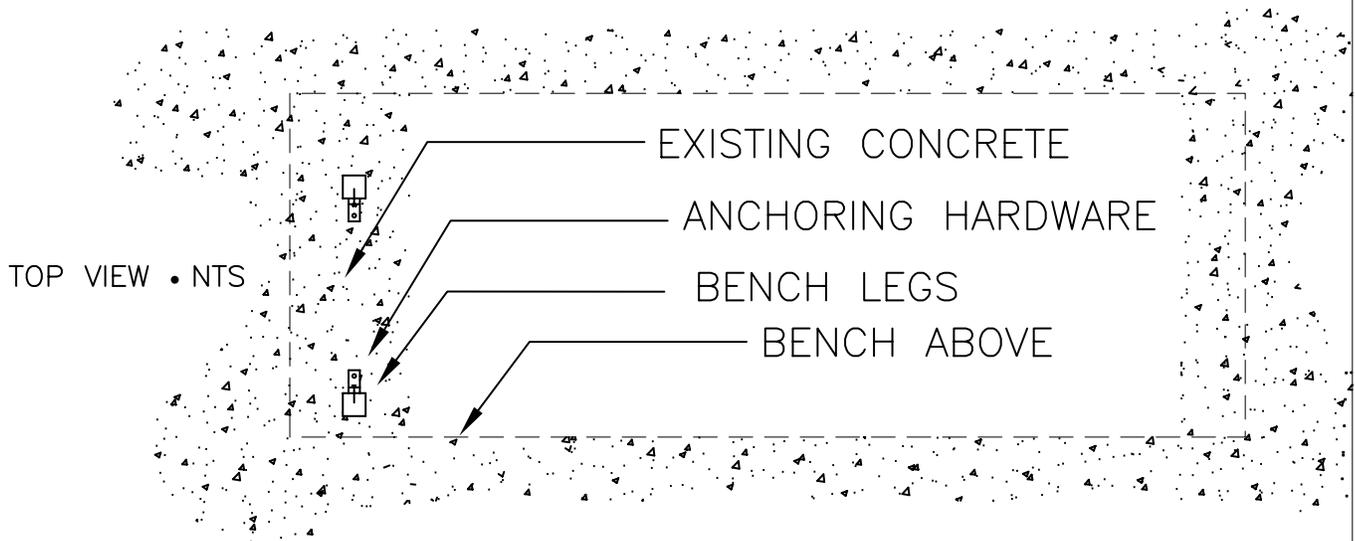
COURTYARD BENCH: LAG BOLT IN D/G

Scale: 1"=1'-0"

Stanford University Architect/Planning Office  
Standard Campus Site Furnishings Guidelines

Updated: 4/15/2003

Superseded: 12/04/2002



NOTE:  
 ANCHORING HARDWARE TO BE SMITH AND HAWKEN BRASS ANCHORS WITH COUNTERSUNK SCREWS, OR EQUAL AS APPROVED BY SUA/PO

C:\Plan-serv\CAD\_Planning\2CampusStandards\SiteFurnishings\CurrentSpecs\Bench2-2\_03.dwg



**COURTYARD BENCH: BOLT ANCHORED**

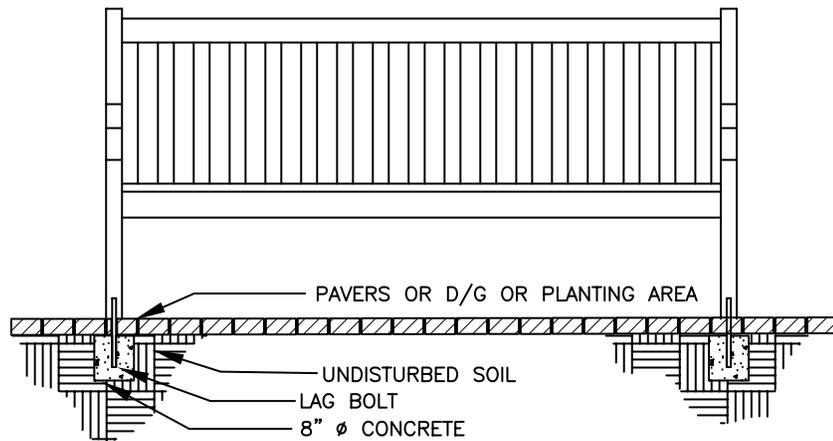
Scale: 1" = 1'-0"

Stanford University Architect/Planning Office  
 Standard Campus Site Furnishings Guidelines

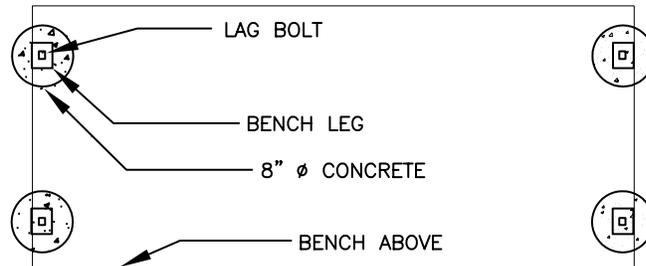
Updated: 1/20/02

Superseded: 4/01/2001

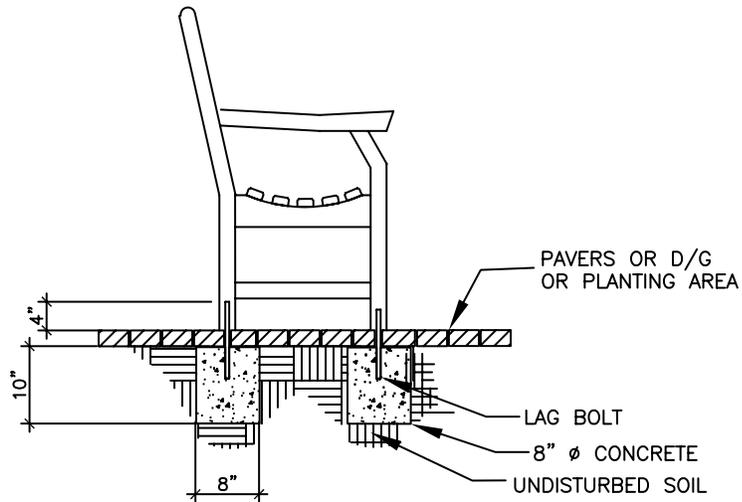
FRONT VIEW • NTS



TOP VIEW • NTS



SIDE VIEW



MOUNTING IN PAVERS, D/G, ASPHALT, OR MULCH PER DETAIL: Drill guide holes in bench legs for 12" lag bolt and screw bolt 4" into legs. Pour concrete into 10" deep post hole, 1" below finished grade, pitch top. Insert bench leg bolts into partially hardened concrete, so legs are level at finished grade. Install surface material over concrete base up to bench leg/finished grade so base is not visible.

MOUNTING IN EXISTING CONCRETE NOTE: Drill guide holes in bench legs for 12" all thread and screw 4" into legs. Drill 8" hole in existing concrete. Epoxy all thread with attached bench into hole and set at finished grade, level bench.

C:\Plan-serv\CAD\_Planning\2CampusStandards\SiteFurnishings\CurrentSpecs\Bench2\_02.dwg



## COURTYARD BENCH MOUNT

Stanford University Architect/Planning Office  
Standard Campus Site Furnishings Guidelines

Scale: 1/2" = 1'-0"

Updated: 4/25/2003

Superseded: 1/20/2002

# Bench 3

## The Courtyard Bench – 8 foot

This eight foot long courtyard bench is sized to complement large scale historic and formal landscapes and buildings, such as the Gates Computer Science Building, and the Serra Street entry to the main quad. It can also be used in plazas, when carefully placed and appropriate to architecture and site, as in Stone Pine Plaza at the SEQ.

### Specifications:

- 8-foot, with legs in the center.
- Teak wood members.
- Attached to paved surface with anchor bolts or dowels, and into poured concrete footing when on decomposed granite.

### Model/Manufacturer:

'Parkside' bench 8' (#2608) Gardenside Ltd., <http://gardenside.com>, 1-888-999-TEAK (8325), 808 Anthony Street, Berkeley, CA 94710

Contact Mike David at 1-888-999-TEAK (8325) Price agreement: 5% discount off trade to Stanford University.

'Brockden' bench 8' (custom length for Stanford) Arthur Lauer, a Greenlife LLC company, <http://arthurlauer.com>, 1-614-799-0144, 21 Whitney Dr. Milford, NY 45150

Contact Amy LaPerre at 586-651-0730

Benches vary slightly. If purchasing 6' and 8' benches, use same manufacturer. See Courtyard 6' fact sheet for 6' bench information.



# Carousel Tables

The carousel table arrangement is one option for campus standard outdoor seating. This design includes attached chairs with backs, four or six to a table, and is also available with moveable, unattached seating. Its durability and casual style makes it suitable for use at outdoor eateries such as Moonbean's Café and Tresidder Student Union.

## Specifications:

- Dimensions: 42" diameter tabletop, 29" floor to tabletop height, 82" outside dimension to backs of seats, 17" seat height, four or six chairs.
- Materials: powder coated metal; chairs in metal grid pattern.
- Color: Silver (gray) chairs with Grotto (black) tabletop. Tresidder only: Cranberry (red) chairs with Frost (white) tabletop. Other colors only with approval of Stanford Architect/Planning Office.
- Mounting: unit surface mounted, or freestanding with glides.

## Model/Manufacturer:

Carousel Table, chairs w/backs: CR4302-BS-42, or moveable "Catena" (rolled edge) tabletop, without umbrella hole, with matching "Verona" moveable chair. Tresidder uses the "Steelhead" table (framed with 1-1/2" diameter metal tube).

Available through Landscape Forms, Inc., 1-800-521-2546, 431 Lawndale Avenue, Kalamazoo, MI 49001. Contact Kelly Kirk at 1-800-957-4778 or [kellyk@landscapeforms.com](mailto:kellyk@landscapeforms.com), [www.landscapeforms.com](http://www.landscapeforms.com).



Moonbean's Cafe



Tresidder

# Side Chair

## Sources series

This 35" chair complements the First Cabin 54" table at the Schwab Residential Center. It can be used in Courtyards and in Plazas, when appropriate to architecture and site. It is functional where tables and chairs must be anchored in place, to allow access to chair. For moveable furniture applications, the 'First Cabin' series landscape chair is also a seating option.

### Specifications:

- 35" grip-back side chair.
- Teak wood members (plantation grown wood).
- All made of tenon & mortis construction.

### Model/Manufacturer:

Sources: SR215 (W19" H35" D24" 18lbs)

From: Summit Furniture, Inc., San Francisco, CA, (415) 621-1638



# Arm Chair

## Sources series

This 35" chair is used to complement the First Cabin 54" table (seen at the Schwab Residential Center). It can be used in courtyards, in accordance with the Site Furnishings Typology of Outdoor Spaces. It can also be used in plazas, when appropriate to architecture and site.

### Specifications:

- 35" grip-back chair.
- Teak wood members (plantation grown wood).
- All made of tenon & mortis construction.

### Model/Manufacturer:

Summit Furniture, Inc., Model #SR214 (W22" H35" D23" 22lbs), available through Summit Furniture, Inc., (415) 621-1638



# Landscape Chair

## First Cabin series

This 34" chair is used to complement the First Cabin 54" table. It can be used in Courtyards and in Plazas, when appropriate to architecture and site.

### Specifications:

- 34" grip-back chair.
- Teak wood members (plantation grown wood).
- All made of tenon & mortis construction.

### Model/Manufacturer:

Summit Furniture, Inc., First Cabin: FC273 (W28" H34" D28" 22lbs), available through Summit Furniture, Inc., (415) 621-1638



# Table

## First Cabin series

This 54" table may be used to complement large scale contemporary and historic landscapes and buildings, and has been used at the Schwab Residential Center. It can be used in Groves, Courtyards, and in Plazas, when appropriate to architecture and site.

### Specifications:

- 54" double-post table w/ deck top.
- Umbrella holes not available w/ this table.
- Teak wood members (plantation grown wood).
- All made of tenon & mortis construction.

### Model/Manufacturer:

Summit Furniture, Inc., First Cabin: FC236 (Dia54" H29" 100lbs), available through Summit Furniture, Inc., (415) 621-1638



# Patio Table

## Ronde/Pinot Combination

This furniture group is one of our campus standards, chosen for its quality, comfort, and ease of maintenance. Its simple design complements contemporary architecture and it has been used in café settings such as Bytes Café in the SEQ Plaza. The moveable seating it offers is well liked by users and encouraged on campus where practical.

All outdoor furniture additions are reviewed and approved by the Stanford Architect/Campus Planning Office to assure they are durable and compatible with campus character and sense of place.

### Specifications:

- Round table: Steel with 3-layer powder-coated finish, Height 30", Width 32", Diameter 32".
- Armchair: Tubular steel and flattened sheet-metal mesh with powder-coat finish, Height 32.5", Depth 25.5", Width 22.5".
- Round table and Armchair are Aluminum color.

### Model/Manufacturer:

Design Within Reach, Ronde Armchair 0105 and Pinot Bistro Round Table AT0172, available through Design Within Reach, 1 (800) 944-2233, [www.designwithinreach.com](http://www.designwithinreach.com).



# Picnic Table 1

## The Wood and Metal Table

The wood and metal 'moveable' table is the primary standard for picnic tables on campus. It shall be used wherever picnic tables are needed, unless the site requires the rustic standard picnic table or metal table.

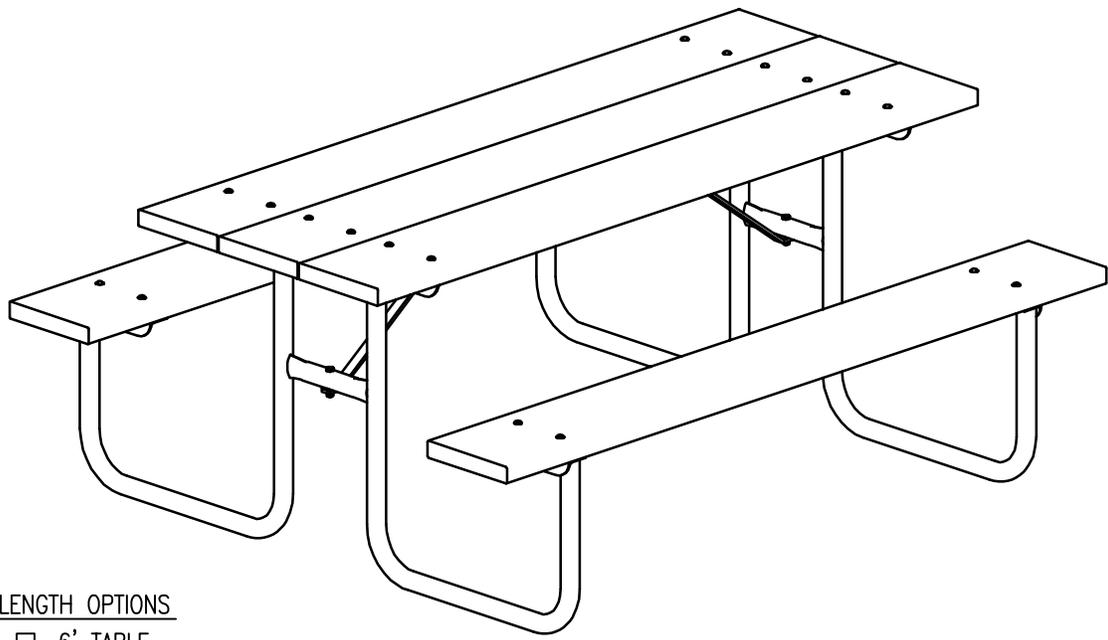
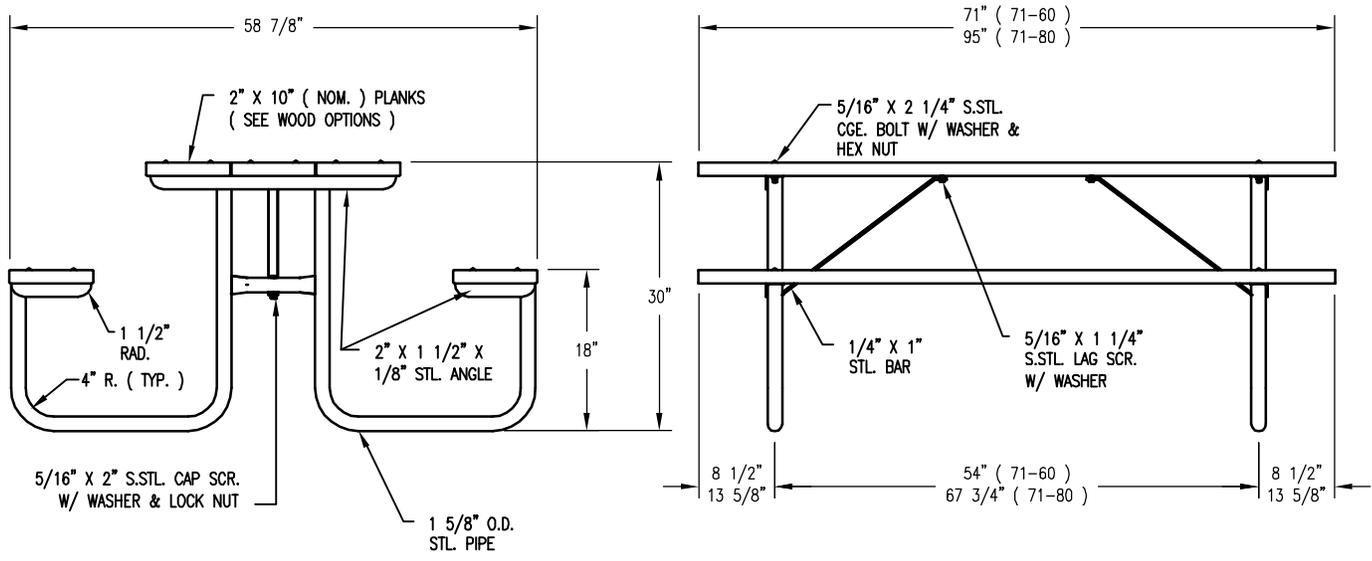
### Specifications:

- All wood member are 8 foot length (except where site requires 6 foot).
- Douglas Fir wood members: 8" width, 3" nom. thickness.
- 30" height table surface; 18" height bench surface.
- (4) Black Metal 'J'-shape Supports, 2 3/8" outside diam., round steel pipe, 5" radius 90 degree bends at ground. Supports attached 2 feet from table ends to provide for accessibility. Embed mount also available, as at Moore building courtyard.

### Model/Manufacturer:

DuMor model: Custom #62-589-80-2, or equal, available through Ross Recreation, (707) 538-3800, 5% discount, contact Rebecca. Specifications available at [www.DuMor.com](http://www.DuMor.com).





LENGTH OPTIONS

- 6' TABLE
- 8' TABLE

NOTE:

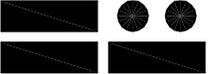
1. ) ALL DOUGLAS FIR WOOD MEMBERS TREATED WITH CLEAR PRESERVATIVE.

STEEL OPTIONS:

- ALL STL. MEMBERS COATED W/ ZINC RICH EPOXY THEN FINISHED W/ POLYESTER POWDER COATING.
- HOT DIP GALV. AFTER FABRICATION.

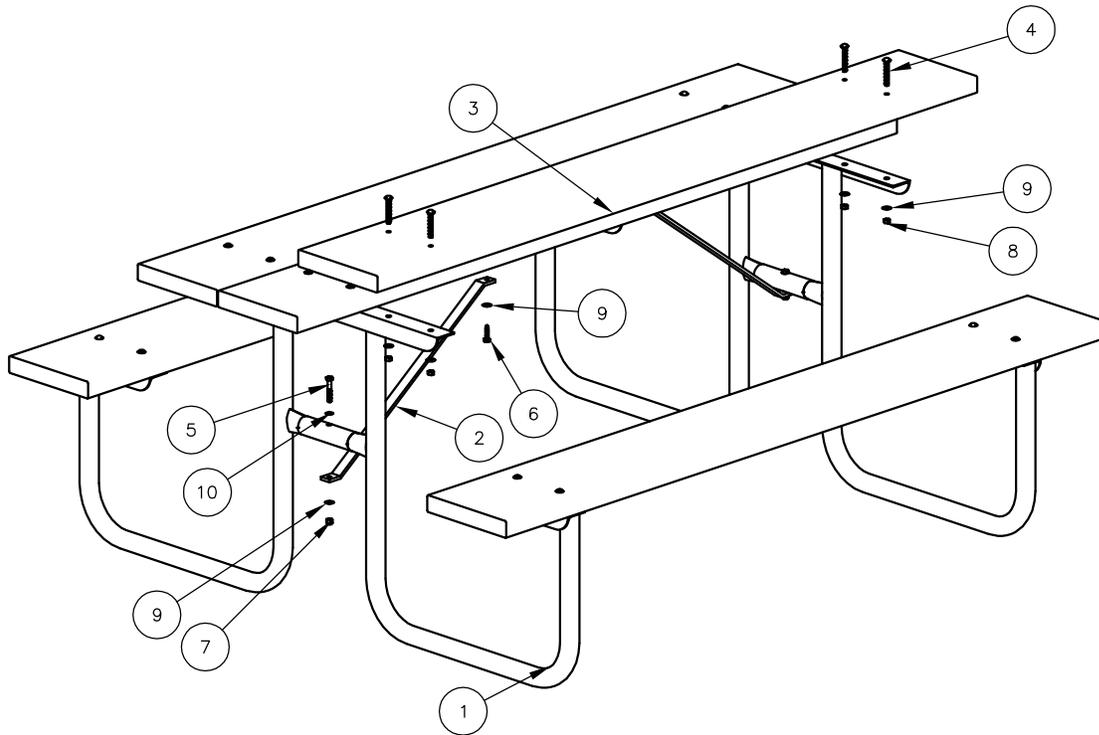
WOOD OPTIONS

- 'C' & BTR. DOUGLAS FIR KD S4S EE
- #1 SOUTHERN YELLOW PINE S4S EE
- OTHER

  
**DuMor, inc.**  
 P.O. Box 142 Mifflintown, PA 17059-0142

SCALE : NONE  
 DATE DRAWN : 3/22/94  
 DRAWN BY : CDC  
 DATE REV. : 10/8/01  
 REV. BY : JSB

TITLE : PICNIC TABLES  
 REV. E  
 DRAWING NUMBER 71 SERIES  
 SHEET 1 OF 2



**STEP 1:**

- USE 5 - PCS. 2" X 10" X 71" WOOD PLANKS ( 3 )
  - 2 - PCS. END SUPPORT FRAME ( 1 )
  - 20 - PCS. 5/16" X 2 1/4" SS CGE. BOLT ( 4 )
  - 20 - PCS. 5/16" SS HEX NUT ( 8 )
  - 20 - PCS. 5/16" SS FLAT WASHER ( 9 )
- ATTACH 2" X 10" X 71" WOOD SLATS ( 3 ) TO END SUPPORT FRAME ( 1 ) USING HARDWARE ( 4, 8, & 9 ). TIGHTEN TO SNUG FIT. REPEAT UNTIL ALL PLANKS ARE ATTACHED.

**STEP 2:**

- USE 2 - PCS. DIAGONAL BRACE ( 2 )
  - 2 - PCS. 5/16" X 2" SS HEX HD CAP SCR. ( 5 )
  - 2 - PCS. 5/16" X 1 1/4" SS HEX HD LAG SCR. ( 6 )
  - 2 - PCS. 5/16" SS NYLON LOCK NUT ( 7 )
  - 4 - PCS. 5/16" SS FLAT WASHER ( 9 )
  - 2 - PCS. 3/8" ID X 5/8" OD RUBBER WASHER ( 10 )
- SQUARE STEP 1 ASSEMBLY THEN ATTACH DIAGONAL BRACE ( 2 ) TO STEP 1 ASSEMBLY USING HARDWARE ( 5, 6, 7, 9, & 10 ). NO PILOT HOLES FOR 5/16" X 1 1/4" SS HEX HD LAG SCR. ( 6 ).

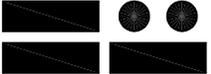
**NOTE:**

- 1.) DURING ASSEMBLY PROCEDURE;  
DO NOT COMPLETELY TIGHTEN HARDWARE.
- 2.) THE ACTUAL PARTS WILL NOT BE NUMBERED;  
NUMBERS ONLY APPLY TO DRAWING.

**STEP 3:**

UPON COMPLETION OF TABLE ASSEMBLY TIGHTEN ALL HARDWARE.

ITEM	QTY	PART NO	DESCRIPTION
1	2	0-71-00-02	END SUPPORT FRAME
2	2	0-71-00-03	DIAGONAL BRACE
3	5	0-71-60-01	2" X 10" X 71" WOOD SLAT
4	20	1-11-062	5/16" X 2 1/4" SS CGE BOLT
5	2	1-12-024	5/16" X 2" SS HEX HD CAP SCR
6	2	1-13-001	5/16" X 1 1/4" SS HEX HD LAG SCR
7	2	1-20-016	5/16" SS NYLON LOCKNUT
8	20	1-21-015	5/16" SS HEX NUT
9	24	1-22-017	5/16" SS FLAT WASHER
10	2	1-22-018	3/8" ID X 5/8" OD RUBBER WASHER



**DuMor, inc.**  
P.O. Box 142 Mifflintown, PA 17059-0142

SCALE : NONE  
DATE DRAWN : 3/22/94  
DRAWN BY : CDC  
DATE REV. : 10/8/01  
REV. BY : JSB

TITLE : PICNIC TABLE ASSEMBLY

REV. E	DRAWING NUMBER 71 SERIES	SHEET 2 OF 2
--------	--------------------------	--------------

# Picnic Table - Rustic

The rustic table is a less “urban” table and seating option for sites with rural type landscapes, not associated with buildings courtyards or spaces. The oak groves along the Oval, called the “Ears of the Oval”, contain these picnic tables.

## Specifications:

- 8 foot length table
- Douglas Fir wood members: 3” nominal thickness.
- 30” height table surface; 18” height bench surface
- Vertical legs, not sloped.

## Model/Manufacturer:

Timberform Site Furniture, 1 (800) 547-1940, Model #2244-8, or equal.  
[www.timberform.com](http://www.timberform.com) Available through Tom O’Keefe at (800) 368-1366.



# Picnic Table - Metal

Where the site calls for a clean, simple table, as in the Rodin Sculpture Garden, this metal table may be used. The black metal is compatible with the other standard metal and wood furnishings.

## Specifications:

- 6 foot length table
- All metal shall be black.
- 2-3/8" diameter powder-coated galvanized steel tubing.
- Configuration as shown.

## Model/Manufacturer:

Steelcraft Tender Tuff-Coated model # 100099.



# Courtyard Table

## Courtyard table for Escondido Village

This table is located in courtyards surrounding the Escondido Village Studios. It seats 6 to 8 people comfortably, and is installed to be moveable yet anchored to the site. This style was chosen for its “patio furniture” character, ideal in residential environments, and its strength and durability. In Escondido Village, it is paired with the “Monterey” dining chairs by Gardenside. (chairs not shown in this photo)

### Specifications:

- Teak, natural finish
- Weight: 93 lbs
- Dimensions: 59” round x 28.75” high.

### Model/Manufacturer:

Gardenside, Inc., “Rosevale” round dining table, model #1610, available through Gardenside, Inc. 1-415-455-4500; [www.gardenside.com](http://www.gardenside.com). Special discounted price to Stanford.



# Courtyard Chair

## Courtyard seating for Escondido Village

These chairs are located in courtyards surrounding the Escondido Village Studios. This style was chosen for its “patio furniture” character, ideal in residential environments, and its strength and durability. In Escondido Village, it is paired with the “Rosevale” round dining table by Gardenside.

### Specifications:

- Teak, natural finish
- Weight: 25 lbs (chair)
- Dimensions: W23.5" x D17"x H36"

### Model/Manufacturer:

Gardenside, Inc. Monterey dining chair, model #3530, available through Gardenside, Inc. 1-415-455-4500; [www.gardenside.com](http://www.gardenside.com). Special discounted price to Stanford.



# Umbrella

This is the standard umbrella used for outdoor spaces on campus. The umbrella has been used in the Main Quad, at the Cantor Arts Museum, and in the Manzanita Dining complex in outdoor dining areas. Umbrellas may also be approved for certain lower level or private patio spaces.

## Specifications:

- Natural-colored canopy, or equal with approval from Architect/Planning Office.
- Simple and flat base, or equal with approval from Architect/Planning Office.
- Average canopy size (around 8' - 9' diameter).
- Wooden pole.

## Model/Manufacturer:

Available through Smith & Hawken, <http://smithandhawken.com>, 1-800-423-0117, 4 Hamilton Landing, Suite 100, Novato, CA 94949. Contact Lisa Mann at 415-506-3852.

Best-of-Market Umbrella: Medium Octagon canopy (#621508)  
Rolling Umbrella Base (#758490) - for 1-1/2" diameter pole-hole

These are suggested vendors. The Architect/Planning Office must approve other choices.



Museum (Costco umbrellas)



Manzanita Dining Complex