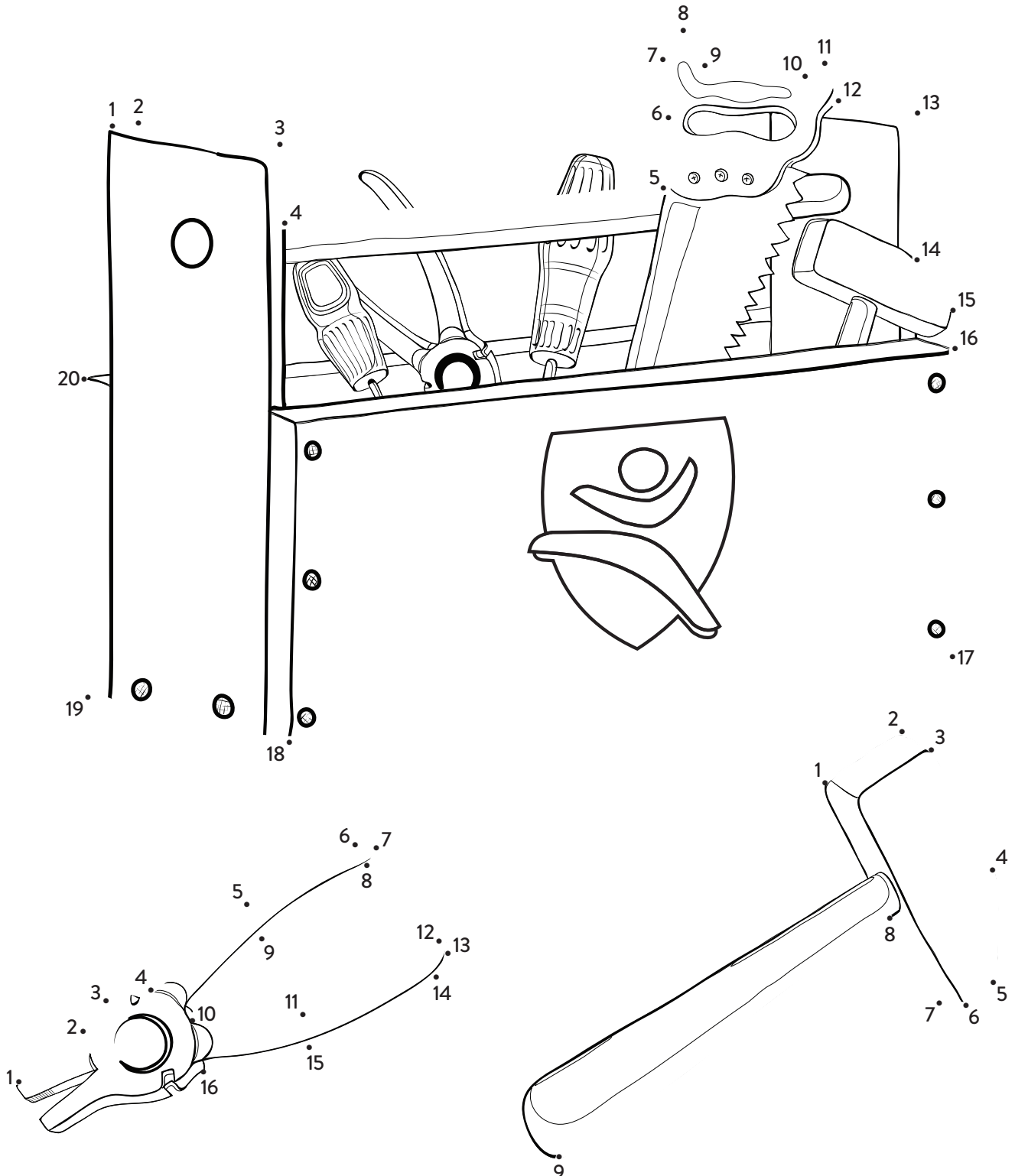


Connect the dots to see what's being used at the construction site



After you connect the dots, color the tools in!