



United States
Environmental Protection
Agency

Office of
Solid Waste
Washington, DC 20460

August 2001

RCRAINFO
FILE SPECIFICATION GUIDE
2001 HAZARDOUS WASTE
REPORT SUBMISSIONS



CONTENTS

	<u>Page</u>
1.0 INTRODUCTION	1
1.1 Overview of Document	1
1.2 Intended Audience	1
1.3 Hazardous Waste Report Forms	2
1.4 Data Files	2
1.5 Questions / Comments	3
2.0 CHANGES FROM PREVIOUS CYCLES	4
2.1 Data Collection Changes	4
2.2 Changes to the File Specification Standards	4
2.3 Changes to the Data Collection Process	5
3.0 DATA SUBMISSION OVERVIEW	6
3.1 Data Requirements	6
3.2 Testing the Translation	6
3.3 Amount of Data in a Single Submission	7
3.4 States/Regions not using the <i>2001 Hazardous Waste Report, Instructions and Forms</i>	7
3.4.1 Identify Sites	7
3.4.2 Access Equivalent Data	8
3.4.3 Data Quality/Equivalency	9
3.4.4 Write Translated Data to Flat Files	9
3.4.5 Generating a Control File	9
4.0 TECHNICAL SPECIFICATIONS	10
4.1 Include in National Report Flags	10
4.2 State Generator Status	10
4.3 Rules and Format Conventions Required for Data Flat Files	10
4.3.1 Alphanumeric Fields	10
4.3.2 Integer Fields	10
4.3.3 Fixed Decimal Fields	11
4.3.4 Sequence Number Fields	11
4.3.5 Negative Numbers	12
4.4 Indicating Don't Know (DK) and Not Applicable (NA)	12
4.5 Record Termination	12
4.6 Empty Fields	12
4.7 Flat File Hierarchy	12
4.8 Confidential Business Information (CBI)	12
APPENDIX A - National and System Required Data Elements	A-1
A.1 National Data Elements	A-1
A.2 System Required Elements	A-2
APPENDIX B - Flat File Specifications	B-1
B.1 Key For Flat File Tables	B-1
B.2 Flat File Naming Convention	B-1
B.3 Flat Files	B-2
FLAT FILE ID# - CL	B-2
FLAT FILE ID# - SI1	B-3
FLAT FILE ID# - SI2	B-7

FLAT FILE ID# - SI3	B-11
FLAT FILE ID# - SI4	B-12
FLAT FILE ID# - SI5	B-13
FLAT FILE ID# - SI6	B-14
FLAT FILE ID# - SI7	B-15
FLAT FILE ID# - SI8	B-16
FLAT FILE ID# - SI9	B-17
FLAT FILE ID# - GM1	B-18
FLAT FILE ID# - GM2	B-19
FLAT FILE ID# - GM3	B-20
FLAT FILE ID# - GM4	B-21
FLAT FILE ID# - GM5	B-22
FLAT FILE ID# - WR1	B-23
FLAT FILE ID# - WR2	B-24
FLAT FILE ID# - WR3	B-25
FLAT FILE ID# - OI1	B-26

APPENDIX C - Data Assessment Edits	C-1
C.1 Generic Data Edits	C-1
C.2 Control File Edits	C-2
C.3 Site Identification Form Edits	C-3
C.4 Form GM Edits	C-10
C.5 Form WR Edits	C-13

APPENDIX D - Hazardous Waste Report Annotated Forms	D-1
--	-----

APPENDIX E - EPA ID Check Digit Routine	E-1
E.1 Characteristics of an EPA ID	E-1
E.2 Parts of an EPA ID	E-1
E.3 Modulus 10 Check Digit Routine	E-1
E.4 Alternate Check Digit Routine	E-2
E.5 Example Check Digit Calculations	E-2

APPENDIX G - Flat File Hierarchy	G-1
---	-----

APPENDIX H - State Postal Codes	H-1
--	-----

LIST OF EXHIBITS

Exhibit 1. Control File Flat File Order	9
Exhibit 2. Incorrect and Correct Integer Entries	11
Exhibit 3. Incorrect and Correct Fixed Decimal Entries	11

1.0 INTRODUCTION

This document describes the file specifications for reporting data for the 2001 Hazardous Waste Report (also called the Biennial Report). The material in this guide covers submissions by states and regions to EPA Headquarters (HQ). The file specifications in this guide are not intended to be used to cover submissions by individual reporting sites. Also, this guide is only intended to specify the file and data formats for the submission and is not intended to cover any procedural or EPA programmatic issues.

This document is designed to be used in conjunction with the *2001 Hazardous Waste Report, Instructions and Forms*, EPA Form 8700-13A/B and is referenced throughout this document. You should have a complete copy of the *2001 Hazardous Waste Report, Instructions and Forms* in your possession while using this guide. Copies of the *2001 Hazardous Waste Report, Instructions and Forms* are available at <http://www.epa.gov/epaoswer/hazwaste/data/#brs>.

1.1 Overview of Document

The *File Specification Guide for 2001 Biennial Report Hazardous Waste Submissions* is divided into four sections:

Section 1 (Introduction) defines the intended audience for this guide, offers a brief description of the forms contained in the *2001 Hazardous Waste Report, Instructions and Forms*, and describes the general purpose and outline of this document.

Section 2 (Data Collection Changes) outlines the major changes to the file specifications from previous Biennial Report cycles.

Section 3 (Data Submission Overview) describes the overall characteristics for a data submission.

Section 4 (Technical Specifications) discusses the technical details of the data files and programs necessary for data submission.

Several appendices are included with this document. These appendices provide background material as well as detailed technical information necessary to properly prepare file submissions.

1.2 Intended Audience

The intended audience for this guide is any State or EPA Region that is using its own software and procedures to extract hazardous waste data from a state or regional system for submission to EPA HQ for inclusion in the RCRAInfo database for the 2001 Hazardous Waste Report; or any commercial software vendor who is preparing software for use/purchase by states and regions for preparation of state or regional submission of data for the 2001 Hazardous Waste Report.

(Note: States or regions who use a data collection instrument different than the *Hazardous Waste Report, Instructions and Forms* developed by EPA HQ, are called translators. This guide will serve as guidance for both translators and commercial software vendors.)

This document was written assuming the reader is 1) familiar with the *2001 Hazardous Waste Report, Instructions and Forms* and 2) understands basic computer concepts and terminology.

1.3 Hazardous Waste Report Forms

The *2001 Hazardous Waste Report, Instructions and Forms* capture information on the following forms:

RCRA Subtitle C Site Identification Form

The Site Identification Form collects information on the site completing the Biennial Report forms package. The form is divided into thirteen items, nine of which must be completed for the Hazardous Waste Report. States and regions submit Site ID form information via the SI1, SI2, SI3, SI4, SI5, SI6, SI7 and SI9 flat files.

Note: The SI8 flat file allows implementers to include state specific activities in their Biennial Report submission. This information is not found on the RCRA Subtitle C Site Identification Form, but rather is implementer defined to meet their State's regulatory requirements. The SI9 flat file allows implementers to include owner and operator addresses in their Biennial Report submission in addition to the owner and operator name and phone number on the RCRA Subtitle C Site Identification Form.

Form GM

Form GM is for reporting on-site hazardous waste generation, management and off-site shipment. Form GM is divided into three sections that document 1) the source, characteristics and quantity of hazardous waste generated; 2) the quantity of hazardous waste managed on-site along with the management method used; and 3) the quantity of hazardous waste shipped off-site for treatment, disposal, or recycling along with the off-site management method used. States and regions submit GM form information via the GM1, GM2, GM3, GM4, and GM5 flat files.

Form WR

Form WR identifies hazardous wastes that were received from other hazardous waste sites and the method(s) used to manage them. Form WR is divided into three identical parts (i.e., waste blocks), labeled Waste 1, Waste 2, and Waste 3, that collect information on the quantities and characteristics of each hazardous waste received from an off-site source during 2001 and managed on-site. States and regions submit WR form information via the WR1, WR2, and WR3 flat files.

Form OI

Form OI documents the names and addresses of off-site installations and transporters. OI information is not loaded into the RCRAInfo database, but a file specification has been included to facilitate data sharing.

1.4 Data Files

Information gathered from the Hazardous Waste Report is submitted to EPA HQ via a series of flat files. Each form contains information that relates to the form in a one-to-one (1:1) relationship (e.g., Form GM, Section 1, Block D, source code). These data elements are captured in the primary flat file for that form (e.g., SI1, GM1, and WR1). Information that relates to the form in a many-to-one ($n:1$) relationship (e.g., Form GM, Section 1, Block B, EPA hazardous waste codes) are captured in secondary flat files (e.g., GM2-GM5, WR2-WR3).

The remainder of this document describes in detail the steps necessary to ensure a successful data submission including identifying what sites should be reported, the types of files that must be included with each submission and technical aspects of the file creation process.

1.5 Questions / Comments

Questions about this document should be directed to the RCRAInfo help desk at rcrainfo.help@epa.gov. Questions submitted to the help desk must only concern the file specification for submission of data from the States or EPA Regions to the RCRAInfo database. Questions on submissions of data by individual sites should be directed to appropriate State or EPA Regional personnel.

2.0 CHANGES FROM PREVIOUS CYCLES

2.1 Data Collection Changes

The EPA has made significant modifications to the Hazardous Waste Report for the 2001. For further details on these changes, please refer to page 2 of the *2001 Hazardous Waste Report, Instructions and Forms*.

2.2 Changes to the File Specification Standards

Because of the extensive changes made to the 2001 Hazardous Waste Report Forms, EPA HQ is taking this opportunity to revise the flat file specifications to more closely reflect the current forms. This primarily involves removing data elements from the flat file specifications that are no longer collected.

Specific changes to the flat file definitions include (field numbers refer to the specifications defined in the *File Specification Guide 1999 Hazardous Waste Submission*):

- < Renamed "G" Files as follows:
 - < G1 - GM1
 - < G2 - GM2
 - < G3 - GM3
 - < G4 - Deleted from submission
 - < G5 - GM4
 - < G6 - GM5
 - < G7 - Deleted from submission
 - < G8 - Deleted from submission
 - < G9 - Deleted from submission
- < GM1 - Removed Field Numbers 3, 8, 10, 11, 12, 13, 15, 17, 18, 20, 21, 22 and 23
- < GM2 - Removed Field Number 3
- < GM3 - Removed Field Number 3
- < GM4 - Removed Field Numbers 3, 8
- < GM5 - Removed Field Number 3

- < Renamed "R" Files as follows:
 - < R1 - WR1
 - < R2 - WR2
 - < R3 - WR3
 - < R4 - Deleted from submission
 - < R5 - Deleted from submission

- < Renamed "O" Files as follows:
 - < O1 - OI1
 - < O2 - Deleted from submission
- < OI1 - Removed Field Number 4

2.3 Changes to the Data Collection Process

Historically (BR cycles 1989, 1991, 1993, 1995, and 1997), EPA HQ provided the Biennial Reporting System (BRS) software to states and regions for use in processing Hazardous Waste Report submissions. Beginning with the 1999 Biennial Report cycle and continuing with the 2001 Biennial Report cycle, EPA HQ will not provide BRS software to the regions and states for Hazardous Waste Report submissions. States and regions are responsible for evaluating and procuring software to assist them in processing of Hazardous Waste Report submissions, by either developing software on their own, procuring software from commercial vendors, or procuring software from other States or regions.

The RCRAInfo application, maintained by EPA HQ, allows EPA HQ to store the Hazardous Waste Report data and generate national reports. RCRAInfo provides a mechanism for the Regional System Administrators to load Hazardous Waste Report submissions into RCRAInfo and conduct basic data assessments. In addition, Biennial Report National Exhibits and Data Quality Reports are available for headquarters, regions and states to conduct quality assurance activities and meet reporting requirement needs.

3.0 DATA SUBMISSION OVERVIEW

3.1 Data Requirements

Three types of data elements are collected via the *2001 Hazardous Waste Report, Instructions and Forms*:

1) national; 2) shared; and 3) system required. All national and system required data elements must be included in the Hazardous Waste Report submission. A list of the data elements in the *2001 Hazardous Waste Report, Instructions and Forms* that are required to be provided are listed in Appendix A.

States and regions are encouraged to provide as much shared data as possible. This information enhances the analytical usefulness of the Hazardous Waste Report data within RCRAInfo. Specifically, data elements of interest include form codes for all records contained in the GM1 and WR1 files.

State, regional and commercial software packages must provide data for the national and system required data elements. Flat files containing national data elements include:

- C Form Site ID data (RCRA Subtitle C Site Identification Form):
Flat Files SI1, SI6 and SI7
- C Form GM data (Waste Generation and Management):
Flat Files GM1, GM2, GM4, and GM5.
- C Form WR data (Waste Received from Off-site):
Flat Files WR1, and WR2.

All data elements must be properly formatted and meet required data quality standards to be loaded into RCRAInfo. The data quality standards for these elements are presented in Appendix C.

The Hazardous Waste Report data submission must also include a control file for proper loading into the RCRAInfo database. The control file specifies each flat file to be loaded and the number of records included in the flat file.

Appendix B contains the flat file specifications for all files (including the control file) needed to produce the Hazardous Waste Report data submission.

3.2 Testing the Translation

It is the responsibility of the state, regional, or commercial software package to produce a complete set of correctly formatted files of a given state for inclusion in the RCRAInfo database. The RCRAInfo application can only accommodate submissions containing all data for a given state, that is, data for a single site cannot be loaded into RCRAInfo.

Once the state has produced a complete set of flat files for their state, those flat files are submitted to their EPA Regional BR Administrator via a secure method of transfer. Methods of secure data transfer include File Transfer Protocol (FTP) from the state to EPA using SecuRemote, encrypted e-mail, anonymous FTP drop-off, state FTP site and CD-ROM or diskettes by mail. It is important that proper security procedures are enforced when submitting the Hazardous Waste Report data to your BR administrator.

Before sending data to the Regional BR Administrator, the following steps are suggested in order to ensure that the data transfer process proceeds smoothly:

- C After the data have been written to the transfer media, the transfer media should be tested to ensure readability and correctness of the data.
- C If physical media is used for transferring the data, the media should be completely and accurately labeled. Any information or instruction required to correctly retrieve the flat files from the medium must also be included.
- C A backup copy of the data files should be retained as a record of the submission and for use in case the original submission is lost or damaged.
- C The submission package should be shipped by a traceable means that provides a return receipt. The electronic media should be isolated in packaging that will protect it from magnetic and/or static electric disturbance.

After the state submission has been successfully transferred to their EPA Regional BR Administrator, the EPA Regional BR Administrator transfers the states Hazardous Waste Report data submission to the Unix server located at EPA's National Computing Center in North Carolina for loading into the RCRAInfo database. Once again, a secure method of transfer must be used. The primary method for transferring these files is FTP within the EPA firewall.

3.3 Amount of Data in a Single Submission

Each data submission must contain **all** data for the state for which data is being submitted. Each data submission will overwrite all existing data for the state in the RCRAInfo database.

3.4 States/Regions not using the 2001 Hazardous Waste Report, Instructions and Forms

The information contained in this guide is equally applicable to states and regions who use a different data collection package than the *2001 Hazardous Waste Report, Instructions and Forms*. Translators are required to provide data equivalent to that collected by the *2001 Hazardous Waste Report, Instructions and Forms* (nationally required data elements and system required data elements). The following information is provided to help translators become familiar with the steps to ensure a successful data submission:

- C Identify all sites for which information is to be translated.
- C Access information that is equivalent to the *2001 Hazardous Waste Report* data.
- C Validate that the equivalent data conforms to the appropriate data quality standards.
- C Write translated data to appropriate flat files.
- C Generate a control file for the translated flat files.

3.4.1 Identify Sites

The state/region must submit information for sites required to file the *2001 Hazardous Waste Report, Instructions and Forms*. The criteria that defines these sites is presented on page i of the *2001 Hazardous Waste Report, Instructions and Forms* under "Sites Required to File the Hazardous Waste Report." States and regions are not precluded from submitting information for sites not required to file the *2001 Hazardous Waste Report, Instructions and Forms*.

3.4.2 Access Equivalent Data

The national data elements for the sites being reported must be provided (see Appendix A for a complete list of national data elements). The translator state/region must identify the data elements and relationships in their system equivalent to the data elements/relationships represented by the flat file specifications provided in Appendix B. In addition, the translator must also provide all system required data elements for the data to be properly stored in RCRAInfo.

The Form GM, Form WR and Form OI allow for multiple form submissions by a handler. Translator States/Regions must also accommodate multiple “forms” by handler as follows:

Form GM

Form GM collects data associated with a single reported waste. Translators must provide records in the GM1 - GM5 files for each waste generated or managed during the reporting cycle. Thus, each page number for the GM flat file records represents a **single** reported waste. All "GM" flat file records containing data associated with the same waste reported for the same EPA ID will have the same page number. Page number takes the value of "00001" for the first reported waste (Form GM) and is incremented by one (1) with each following reported waste.

(Note: The instructions on assignment of page number for translators are different than for those states/regions/commercial software vendors supporting the *2001 Hazardous Waste Report, Instructions and Forms*. For vendors supporting the *2001 Hazardous Waste Report, Instructions and Forms*, page number should be the same as the number assigned by the respondent to the actual form.)

Form WR

Form WR collects data associated with each reported waste received from off-site. Translators must provide records in the WR1 - WR3 files for each waste received from off-site. All "WR" flat file records containing data associated with the same received waste reported for the same handler will have the same page number. Page number takes the value of "00001" for the first received waste (Form WR), and is incremented by one (1) with each separate received waste reported. The sub-page number for Form WR data must always be assigned the value of "1". (Note: the instructions on assignment of page number and sub-page number for translators are different than for those states/regions/commercial software vendors supporting the *2001 Hazardous Waste Report, Instructions and Forms*. For vendors supporting the *2001 Hazardous Waste Report, Instructions and Forms*, page number and sub-page number should be the same as the number assigned by the respondent to the actual form. Sub-page number is '1' for the waste reported in the "Waste 1" block of the WR form, '2' for the waste reported in the "Waste 2" block of the WR form, and '3' for the waste reported in the "Waste 3" block of the WR form.)

Form OI

Form OI collects data identifying handlers from whom waste was received and to whom waste was shipped and all transporters used to ship waste during the reporting cycle. These source, destination, and transporting entities are identified by their EPA ID, name, and address. The page number for the OI flat file records represents a single handler record. Page number takes the value of "00001" for the first handler record and is incremented by one (1) with each separate handler record reported.

3.4.3 Data Quality/Equivalency

The State/Region's translator data must provide an accurate representation of hazardous waste activity for that state. In addition, the translator's data must pass a minimum set of data edits (see Appendix C) in order to provide information comparable to data gathered with the *2001 Hazardous Waste Report, Instructions and Forms* and to be properly loaded into the RCRAInfo database. Data failing to conform to the appropriate data quality edits will result in the entire data submission to RCRAInfo being rejected.

A copy of the *2001 Hazardous Waste Report* forms annotated to show in which flat file each data element is located can be found in Appendix D. In addition, all codes used in the submission must conform to acceptable data values as specified in Appendix C.

3.4.4 Write Translated Data to Flat Files

Translator States/Regions must extract data from their state/regional system, and re-produce the data in the flat file formats outlined in Appendix B. A complete translation effort may not necessarily include all flat files. For example, a translator submitting Form GM data is not required to include the "GM3" flat file (state waste codes) as this is shared data. However, the state/region is encouraged to include all shared data that the state/region currently collects in the Hazardous Waste Report data submission.

The flat file specifications for the Hazardous Waste Report data is based on a series of parent-child relationships. A parent file (e.g., SI1, GM1, WR1) may have one or more child relationships with other flat files (SI2-SI9, GM2-GM5, WR2-WR3). Child records may not exist without the existence of the parent record (e.g., a record for site XYZ cannot exist in the GM2 file if a corresponding record does not exist in the GM1 file). Appendix G shows the parent-child relationships for all flat files comprising the Hazardous Waste Report data submission.

Data for a site should only be included in the Hazardous Waste Report data submission after all records for that site pass all appropriate edit checks. If a site's data is incomplete, then the site's information must not be included in the state's Hazardous Waste Report data submission. **It is not sufficient to eliminate the data element in error and submit the remainder of the site's data.**

3.4.5 Generating a Control File

The translator must include a "control" file with all Hazardous Waste Report data submissions. The specifications for this file are also included in Appendix B. The control file records contain information describing the flat files being submitted. One control file record is created for each submitted flat file. These records **MUST** be in the following order:

SI1, SI2, SI3, SI4, SI5, SI6, SI7, SI8, SI9, GM1, GM2, GM3, GM4, GM5, WR1, WR2, WR3

Exhibit 1. Control File Flat File Order

Note: The control file should contain information **only** on flat files submitted. If a flat file is not submitted, no information for the file should be placed in the control file. The OI1 flat file should never be included in the control file because this form is not to be submitted to the RCRAInfo database.

4.0 TECHNICAL SPECIFICATIONS

This section contains the standards that must be met when producing flat files for the Hazardous Waste Report data submission. Failure to meet these specifications will result in the rejection of the flat files and failure to load the data into the RCRAInfo database.

4.1 Include in National Report Flags

The SI1, GM1 and WR1 file specifications includes a field labeled INCLUDE_IN_NATIONAL_REPORT. The purpose of this field is to allow implementers to submit additional Biennial Report data (for purposes of data sharing) but keep that data from being included in the National Biennial Hazardous Waste Report. The field is defined as follows: If the INCLUDE_IN_NATIONAL_REPORT flag in the SI1 file is 'N' (No), then all the INCLUDE_IN_NATIONAL_REPORT flags, for the site, must also equal 'N' (No) else the submission will be in error. If the INCLUDE_IN_NATIONAL_REPORT flag in the SI1 file is 'Y' (Yes), implementers may set the flag in the GM1 and WR1 file as either 'Y' (Yes) or 'N' (No) indicating whether that particular waste should be included in the National Biennial Hazardous Waste Report. It is anticipated that many implementers will default the value for these flags to 'Y' (Yes) in all cases, however, the specific implementation of how these flags are populated is determined by the implementer.

4.2 State Generator Status

Starting with the 2001 Biennial Report cycle, implementers are required to furnish both the State specific generator status and the federal generator status for each site in their submission. Appropriate fields are included in the SI1 file specification for this purpose. It is anticipated that many States whose regulations closely match the federal regulations, either by reference or by inclusion, will choose for the values of these fields to be the same. The method to populate these fields is determined by the implementer, however, both fields must be provided or the submission will be rejected.

4.3 Rules and Format Conventions Required for Data Flat Files

The following sections detail the correct field formats for the data in the flat files.

4.3.1 Alphanumeric Fields

Alphanumeric fields are identified in Appendix B as Data Type "A" fields. Data Type "A" fields must be left-justified with all trailing spaces filled with the space character (i.e., ASCII HEX 0x20 or ASCII Decimal 32).

Valid characters for alphanumeric fields are limited to:

~!#\$%^&*()_+`-~\=:;?.,/'"@&1234567890ABCDEFGHIJKLMNPOQRSTUVWXYZ

Invalid characters for alphanumeric fields include:

{ } [] < > | (concatenation character)

As part of the RCRAInfo load routines, all lowercase letters (a-z) will be converted to uppercase characters (A-Z). Lowercase letters will not cause a submission to be rejected, however the lowercase letters will be converted to uppercase characters.

4.3.2 Integer Fields

Integer fields are identified in Appendix B as Data Type "I" fields. Data Type "I" fields must be right-justified.

Allowed values for Integer Fields are number 0-9, and the space character (ASCII Hex 0x20 or ASCII Decimal 32).

Examples of incorrect and correct entries for an integer field defined with a length of five (5) are presented in Exhibit 2 below.

INCORRECT	CORRECT
1A	1
10,000	10000
750.25	750

Exhibit 2. Incorrect and Correct Integer Entries

4.3.3 Fixed Decimal Fields

Fixed place decimal fields are identified in Appendix B as Data Type "D" fields.

For all "D" field entries, the flat file specifications indicate the number of digits before the decimal and the number of digits after decimal that the data element is allowed. For example, D11.6 indicates that the number may have up to 11 digits before the decimal and 6 digits after the decimal (9999999999.999999). The period (.) character, representing the decimal must be included for fixed decimal fields. The field length includes the decimal character.

Allowed values for Fixed Decimal Fields are number 0-9, the decimal character ".", and the space character (ASCII Hex 0x20 or ASCII Decimal 32).

Although some data blocks on the *2001 Hazardous Waste Report, Instructions and Forms* provide for only one decimal place, the translator flat files may require that additional decimal places be represented in "D" fields. Exhibit 3 shows incorrect and correct entries in a type "D5.2" field.

INCORRECT	CORRECT
10,032.1	10032.10
98765	98765.00

Exhibit 3. Incorrect and Correct Fixed Decimal Entries

4.3.4 Sequence Number Fields

Some of the files in Appendix B require a sequence number to be provided for each record. The SI6 file, for example, requires a sequence number (NAICS_SEQ) for the NAICS codes. The sequence number is needed for data elements, such as the NAICS code, which may have more than one value. The sequence number takes the value "0001" for the first occurrence of the sequenced data element for the EPA ID and is then incremented by one with each successive occurrence of that same EPA ID.

4.3.5 Negative Numbers

Negative numbers are not allowed in the data submission.

4.4 Indicating Don't Know (DK) and Not Applicable (NA)

The *2001 Hazardous Waste Report, Instructions and Forms* do not allow the use of "Don't Know" (DK) or "Not Applicable" (NA). Flat files cannot contain any values indicating "Don't Know" or "Not Applicable."

4.5 Record Termination

Each flat file record must be terminated by a line feed character (ASCII Hex 0x0A or ASCII Decimal 010), or a carriage return character (ASCII Hex 0x0D or ASCII Decimal 013) followed by a line feed character.

4.6 Empty Fields

For fields that require no response, the field should be filled with the space character (i.e., blanks).

4.7 Flat File Hierarchy

Appendix G shows the flat file hierarchy for the Hazardous Waste Report data submission. Files connected by lines have a parent - child relationship. The file identified at the left terminus of a line is the parent. The file identified at the right terminus of a line is the child. Each record with a unique EPA ID in a child flat file must have at least one corresponding record in the parent flat file. When a parent flat file distinguishes records using more than one key, it is the combination of the keys that identifies uniqueness. For example, the "GM" series flat files use two keys (Handler ID and GM Page Number) to identify each "waste" being reported for a site. Thus, for each unique occurrence of the combined keys (Handler ID and Page Number) in the GM2 flat file, there must be a corresponding record in the GM1 file with the same values for the entire key.

4.8 Confidential Business Information (CBI)

Under existing RCRA statutes, sites may claim that certain items of information submitted as part of their Hazardous Waste Report contain Confidential Business Information (CBI). The procedures for handling CBI can be found in the *Procedures for Handling RCRA Confidential Business Information* (available from the EPA HQ RCRA Document Control Officer). A subset of these procedures is documented in the *Procedures for handling RCRA Confidential Business Information submitted for the Biennial Report*. (Copies of these documents can be requested from the RCRAInfo help desk at rcrainfo.help@epa.gov). In brief, it is not allowable to mingle CBI data with non-CBI data. In addition, CBI data must be handled on a secure computer (either a computer that is kept in a secure environment or a computer which uses removable media where the media is kept in a secure environment).

If any information for a site is claimed to be CBI for the purposes of the Hazardous Waste Report, **all** data for that site must be handled as CBI. CBI data must be submitted for inclusion into RCRAInfo separately from non-CBI data.

In previous Biennial Report cycles, some states/regions that have received CBI have masked the CBI data (in other words, changed the CBI data so it no longer is CBI). This is not a requirement of EPA HQ, but, as long as the masking is acceptable to the site and the implementer, and the data meets the minimum edit standards as detailed in the appendices, this solution is acceptable.

APPENDIX A

National and System Required Data Elements

APPENDIX A - National and System Required Data Elements

A.1 National Data Elements

FLAT FILE ID	FIELD NAME	DESCRIPTION	FORM LOCATION
(all)	HANDLER_ID	EPA Identification Number	SI-2, GM, WR
SI1	SUBMITTAL_REASON	Reason for Submittal	SI-1
SI1	NAME	Name	SI-3
SI1	LOCATION_STREET1	Location Street Address	SI-4
SI1	LOCATION_CITY	Location City, Town or Village	SI-4
SI1	LOCATION_COUNTY	County Name	SI-4
SI1	LOCATION_STATE	Location State	SI-4
SI1	LOCATION_ZIP	Location Zip Code	SI-4
SI1	MAIL_STREET1	Mailing Street Address	SI-7
SI1	MAIL_CITY	Mailing City	SI-7
SI1	MAIL_STATE	Mailing State	SI-7
SI1	MAIL_COUNTRY	Mailing Country	SI-7
SI1	MAIL_ZIP	Mailing Zip Code	SI-7
SI1	CONTACT_LAST_NAME	Contact Last Name	SI-8
SI1	CONTACT_FIRST_NAME	Contact First Name	SI-8
SI1	CONTACT_PHONE	Contact Telephone Number	SI-8
SI1	STATE_GENERATOR_STATUS	State Generator Status	SI-10-A-1
SI1	GENERATOR_ACTIVITY	Generator Activity	SI-10-A-1
SI1	TSD_ACTIVITY	Treater, Storer, or Disposer of Hazardous Waste	SI-10-A-3
SI1, GM1, WR1	INCLUDE_IN_NATIONAL_REPORT	Include Information in the National Hazardous Waste Report	
SI6	NAICS_CODE	North American Industry Classification System Code	SI-6
SI7	CERT_LAST_NAME	Certification Last Name	SI-13
SI7	CERT_FIRST_NAME	Certification First Name	SI-13
SI7	CERT_TITLE	Certification Title	SI-13
SI7	CERT_SIGNED_DATE	Date Certification was Signed	SI-13
GM1, WR1	UNIT_OF_MEASURE	Unit of Measure	GM-1-H, WR-F
GM1, WR1	WST_DENSITY	Density	GM-1-H, WR-F
GM1, WR1	DENSITY_UNIT_OF_MEASURE	Density Unit of Measure	GM-1-H, WR-F

FLAT FILE ID	FIELD NAME	DESCRIPTION	FORM LOCATION
GM1	GEN_QTY	Quantity Generated in Reporting Year	GM-1-G
GM1	SOURCE_CODE	Source Code	GM-1-D
GM1	ORIGIN_MANAGEMENT_METHOD	Origin Management Method	GM-1-D
GM5, WR1	MANAGEMENT_METHOD	Management Method	GM-2, WR-I
GM1, WR1	RADIOACTIVE_MIX	RCRA-Radioactive mixed	GM-1-F, WR-H
GM2, WR2	EPA_WASTE_CODE	EPA Hazardous Waste Code	GM-1-B, WR-B
GM4, WR1	IO_TDR_ID	EPA ID Number of Off-site Facility	GM-3-B, WR-D
GM4, WR1	IO_TDR_QTY	Total Quantity Shipped (GM4) or Total Quantity Received (WR1) in Current Reporting Year	GM-3-D, WR-E
GM5	SYS_TDR_QTY	Quantity Treated, Disposed or Recycled On-site in Current Reporting Year	GM-2

A.2 System Required Elements

FLAT FILE ID	FIELD NAME	DESCRIPTION
SI6	NAICS_SEQ	NAICS Sequence Number
SI7	CERT_SEQ	Certification Sequence Number
SI9	OWNER_OPERATOR_SEQ_NO	Owner / Operator Sequence Number
GM (all), WR (all)	HZ_PG	Form Page Number
GM4	IO_PG_NUM_SEQ	Off-site Sequence Number
GM5	SYS_PG_NUM_SEQ	On-site Sequence Number
WR (all)	SUB_PG_NUM	Waste Number

APPENDIX B

Flat File Specifications

APPENDIX B - Flat File Specifications

B.1 Key For Flat File Tables

Data Class

N	National
S	Shared
R	System Required
K	Key Field

Data Type

A	Alphanumeric
I	Integer
D	Fixed Decimal

B.2 Flat File Naming Convention

Flat files names are constructed in the following manner:

SSFFFNNN.FIL

Where:

SS	=	State Postal Code
FFF	=	Flat file identifier (for example, GM1 or GM2)
NNN	=	Julian Date when file was created

Files must be named using all **uppercase** characters.

Note: The three-character file ID distinguishes each flat file produced during the translation. For example, the correct name for the SI3 file, containing VA data, produced on January 4th, is VASI3004.FIL.

B.3 Flat Files

FLAT FILE ID# - CL					
Source Form: NA		Description: Name and statistical information for each flat file being submitted			
<p>This file is used to describe the flat files being submitted electronically. There must be one record in the control file for each flat file being submitted. Each CL record contains a flat file name (field 1), the date the flat file was created in "CCYYMMDD" format (field 2), and the number of records (lines) in the flat file (field 3).</p> <p>When creating the Control File, first list records SI1-SI9, followed by GM1-GM5, followed by WR1-WR3. The control file must never contain entries for file OI1. Only create control records for files that contain one or more records.</p> <p>File name must be in uppercase characters.</p>					
Field Number	Starting Column	Field Length	Data Type	Description	Edit Number
1	1	12	A	File Name	CL000, CL010, CL020, CL030
2	13	8	I	Date Created Format = CCYYMMDD	CL040
3	21	8	I	Record Count	CL050
Total Record Length:		28			

FLAT FILE ID# - SI1

Source Form: Site ID **Description:** Handler Identification, Address and Hazardous Waste Activities Information

This file must contain one and only one record for each Handler ID reporting. Also, any Handler ID appearing as the key in ANY of the "GM", "WR", or "OI" files must also be present in this file.

Key Fields: Handler ID Number (HANDLER_ID).

Each record in the SI1 file must contain a unique Handler ID Number.

Field No.	Field Name	Starting Column	Field Length	Data Type	Description	Location on Form	Data Class	Edit Number
1	HANDLER_ID	1	12	A	EPA Identification Number	SI-2	N,K	SI000, SI010
2	SUBMITTAL_REASON	13	1	A	Reason for Submittal (As a component of the Hazardous Waste Report = 'R', As a component of the Hazardous Waste Report AND any other reason for submittal = 'B')	SI-1	N	SI015
3	NAME	14	40	A	Name	SI-3	N	SI020
4	LOCATION_STREET_NO	54	12	A	Location Street Number	SI-4	S	
5	LOCATION_STREET1	66	30	A	Location Street 1	SI-4	N	SI040
6	LOCATION_STREET2	96	30	A	Location Street 2	SI-4	S	
7	LOCATION_CITY	126	25	A	Location City	SI-4	N	SI050
8	COUNTY_NAME	151	25	A	County Name	SI-4	N	SI060
9	LOCATION_STATE	176	2	A	Location State	SI-4	N	SI070, SI090
10	LOCATION_ZIP	178	14	A	Location Zip Code	SI-4	N	SI080, SI085
11	MAIL_STREET_NO	192	12	A	Mailing Street Number	SI-7	S	
12	MAIL_STREET1	204	30	A	Mailing Street 1	SI-7	N	SI100
13	MAIL_STREET2	234	30	A	Mailing Street 2	SI-7	S	
14	MAIL_CITY	264	25	A	Mailing City	SI-7	N	SI110
15	MAIL_STATE	289	2	A	Mailing State	SI-7	N	SI120
16	MAIL_COUNTRY	291	50	A	Mailing Country	SI-7	N	SI140
17	MAIL_ZIP	341	14	A	Mailing Zip Code	SI-7	N	SI130, SI135

FLAT FILE ID# - SI1

Source Form: Site ID **Description:** Handler Identification, Address and Hazardous Waste Activities Information

This file must contain one and only one record for each Handler ID reporting. Also, any Handler ID appearing as the key in ANY of the "GM", "WR", or "OI" files must also be present in this file.

Key Fields: Handler ID Number (HANDLER_ID).

Each record in the SI1 file must contain a unique Handler ID Number.

Field No.	Field Name	Starting Column	Field Length	Data Type	Description	Location on Form	Data Class	Edit Number
18	LAND_TYPE	355	1	A	Site Land Type (Private = 'P', County = 'C', District = 'D', Federal = 'F', Indian = 'I', Municipal = 'M', State = 'S', Other = 'O', Unchecked = '')	SI-5	S	SI310
19	CONTACT_FIRST_NAME	356	15	A	Contact First Name	SI-8	N	SI150
20	CONTACT_MIDDLE_INITIAL	371	1	A	Contact Middle Initial	SI-8	S	
21	CONTACT_LAST_NAME	372	15	A	Contact Last Name	SI-8	N	SI160
22	CONTACT_PHONE	387	10	A	Contact Phone Number	SI-8	N	SI170
23	CONTACT_PHONE_EXT	397	6	A	Contact Phone Number Extension	SI-8	S	
24	STATE_GENERATOR_STATUS	403	1	A	State Specific Generator Status	SI-10-A-1	N	SI175
25	GENERATOR_ACTIVITY	404	1	A	Generator Activity (LQG = '1', SQG = '2', CESQG = '3', Not a generator = 'N')	SI-10-A-1	N	SI180
26	IMPORTER_ACTIVITY	405	1	A	U.S. Importer of Hazardous Waste (Checked = 'Y', Unchecked = 'N')	SI-10-A-1	S	SI460
27	MIXED_WASTE_GENERATOR	406	1	A	Mixed Waste (hazardous and radioactive) Generator (Checked = 'Y', Unchecked = 'N')	SI-10-A-1	S	SI470
28	TRANSPORTER_ACTIVITY	407	1	A	Transporter of Hazardous Waste (If SUBMITTAL_REASON = 'R' Then Checked = 'Y', Unchecked and not implementer required = 'U', Unchecked and implementer required = 'N' If SUBMITTAL_REASON = 'B' Then Checked = 'Y', Unchecked = 'N')	SI-10-A-2	S	SI480
29	TSD_ACTIVITY	408	1	A	Treater, Storer, or Disposer of Hazardous Waste (Checked = 'Y', Unchecked = 'N')	SI-10-A-3	N	SI190

FLAT FILE ID# - SI1

Source Form: Site ID **Description:** Handler Identification, Address and Hazardous Waste Activities Information

This file must contain one and only one record for each Handler ID reporting. Also, any Handler ID appearing as the key in ANY of the "GM", "WR", or "OI" files must also be present in this file.

Key Fields: Handler ID Number (HANDLER_ID).

Each record in the SI1 file must contain a unique Handler ID Number.

Field No.	Field Name	Starting Column	Field Length	Data Type	Description	Location on Form	Data Class	Edit Number
30	RECYCLER_ACTIVITY	409	1	A	Recycler of Hazardous Waste (If SUBMITTAL_REASON = 'R' Then Checked = 'Y', Unchecked and not implementer required = 'U', Unchecked and implementer required = 'N' If SUBMITTAL_REASON = 'B' Then Checked = 'Y', Unchecked = 'N')	SI-10-A-4	S	SI490
31	HWFUEL_ONSITE_BURNER_EXEMPT	410	1	A	Small Quantity On-Site Burner Exemption (If SUBMITTAL_REASON = 'R' Then Checked = 'Y', Unchecked and not implementer required = 'U', Unchecked and implementer required = 'N' If SUBMITTAL_REASON = 'B' Then Checked = 'Y', Unchecked = 'N')	SI-10-A-5	S	SI500
32	HWFUEL_FURNACE_EXEMPT	411	1	A	Smelting, Melting, Refining Furnace Exemption (If SUBMITTAL_REASON = 'R' Then Checked = 'Y', Unchecked and not implementer required = 'U', Unchecked and implementer required = 'N' If SUBMITTAL_REASON = 'B' Then Checked = 'Y', Unchecked = 'N')	SI-10-A-5	S	SI510
33	UNDERGROUND_INJECTION_ACTIVITY	412	1	A	Underground Injection Control (If SUBMITTAL_REASON = 'R' Then Checked = 'Y', Unchecked and not implementer required = 'U', Unchecked and implementer required = 'N' If SUBMITTAL_REASON = 'B' Then Checked = 'Y', Unchecked = 'N')	SI-10-A-6	S	SI520
34	INCLUDE_IN_NATIONAL_REPORT	413	1	A	Include this Information in the National Hazardous Waste Report (Yes = 'Y', No = 'N')		N	
35	NOTES	414	240	A	Comments / Notes	SI-12	S	
36	CONTACT_EMAIL	654	240	A	Contact E-Mail Address		S	

FLAT FILE ID# - SI1

Source Form: Site ID **Description:** Handler Identification, Address and Hazardous Waste Activities Information

This file must contain one and only one record for each Handler ID reporting. Also, any Handler ID appearing as the key in ANY of the "GM", "WR", or "OI" files must also be present in this file.

Key Fields: Handler ID Number (HANDLER_ID).

Each record in the SI1 file must contain a unique Handler ID Number.

Field No.	Field Name	Starting Column	Field Length	Data Type	Description	Location on Form	Data Class	Edit Number
Total Record Length:			893					

FLAT FILE ID# - SI2

Source Form: Site ID **Description:** Handler Universal Waste and Used Oil Activities

This file captures the information contained in Section 10, Block B, Questions 1A - 1D of the Site ID form. This file should contain one and only one record for each Handler ID reporting.

Key Fields: Handler ID Number (HANDLER_ID).

Each record in the SI2 file must contain a unique Handler ID Number.

Field No.	Field Name	Starting Column	Field Length	Data Type	Description	Location on Form	Data Class	Edit Number
1	HANDLER_ID	1	12	A	EPA Identification Number	SI-2	S,K	SI530
2	GEN_BATTERIES	13	1	A	Large Quantity Generator of Batteries (If SUBMITTAL_REASON = 'R' Then Checked = 'Y', Unchecked and not implementer required = 'U', Unchecked and implementer required = 'N' If SUBMITTAL_REASON = 'B' Then Checked = 'Y', Unchecked = 'N')	SI-10-B-1-A	S	SI540
3	ACC_BATTERIES	14	1	A	Large Quantity Accumulator of Batteries (If SUBMITTAL_REASON = 'R' Then Checked = 'Y', Unchecked and not implementer required = 'U', Unchecked and implementer required = 'N' If SUBMITTAL_REASON = 'B' Then Checked = 'Y', Unchecked = 'N')	SI-10-B-1-A	S	SI550
4	GEN_PESTICIDES	15	1	A	Large Quantity Generator of Pesticides (If SUBMITTAL_REASON = 'R' Then Checked = 'Y', Unchecked and not implementer required = 'U', Unchecked and implementer required = 'N' If SUBMITTAL_REASON = 'B' Then Checked = 'Y', Unchecked = 'N')	SI-10-B-1-B	S	SI560
5	ACC_PESTICIDES	16	1	A	Large Quantity Accumulator of Pesticides (If SUBMITTAL_REASON = 'R' Then Checked = 'Y', Unchecked and not implementer required = 'U', Unchecked and implementer required = 'N' If SUBMITTAL_REASON = 'B' Then Checked = 'Y', Unchecked = 'N')	SI-10-B-1-B	S	SI570

FLAT FILE ID# - SI2

Source Form: Site ID **Description:** Handler Universal Waste and Used Oil Activities

This file captures the information contained in Section 10, Block B, Questions 1A - 1D of the Site ID form. This file should contain one and only one record for each Handler ID reporting.

Key Fields: Handler ID Number (HANDLER_ID).

Each record in the SI2 file must contain a unique Handler ID Number.

Field No.	Field Name	Starting Column	Field Length	Data Type	Description	Location on Form	Data Class	Edit Number
6	GEN_THERMOSTATS	17	1	A	Large Quantity Generator of Thermostats (If SUBMITTAL_REASON = 'R' Then Checked = 'Y', Unchecked and not implementer required = 'U', Unchecked and implementer required = 'N' If SUBMITTAL_REASON = 'B' Then Checked = 'Y', Unchecked = 'N')	SI-10-B-1-C	S	SI580
7	ACC_THERMOSTATS	18	1	A	Large Quantity Accumulator of Thermostats (If SUBMITTAL_REASON = 'R' Then Checked = 'Y', Unchecked and not implementer required = 'U', Unchecked and implementer required = 'N' If SUBMITTAL_REASON = 'B' Then Checked = 'Y', Unchecked = 'N')	SI-10-B-1-C	S	SI590
8	GEN_LAMPS	19	1	A	Large Quantity Generator of Lamps (If SUBMITTAL_REASON = 'R' Then Checked = 'Y', Unchecked and not implementer required = 'U', Unchecked and implementer required = 'N' If SUBMITTAL_REASON = 'B' Then Checked = 'Y', Unchecked = 'N')	SI-10-B-1-D	S	SI600
9	ACC_LAMPS	20	1	A	Large Quantity Accumulator of Lamps (If SUBMITTAL_REASON = 'R' Then Checked = 'Y', Unchecked and not implementer required = 'U', Unchecked and implementer required = 'N' If SUBMITTAL_REASON = 'B' Then Checked = 'Y', Unchecked = 'N')	SI-10-B-1-D	S	SI610
10	UNIVERSAL_WASTE_DEST_FACILITY	21	1	A	Destination Facility for Universal Waste (If SUBMITTAL_REASON = 'R' Then Checked = 'Y', Unchecked and not implementer required = 'U', Unchecked and implementer required = 'N' If SUBMITTAL_REASON = 'B' Then Checked = 'Y', Unchecked = 'N')	SI-10-B-2	S	SI620

FLAT FILE ID# - SI2

Source Form: Site ID **Description:** Handler Universal Waste and Used Oil Activities

This file captures the information contained in Section 10, Block B, Questions 1A - 1D of the Site ID form. This file should contain one and only one record for each Handler ID reporting.

Key Fields: Handler ID Number (HANDLER_ID).

Each record in the SI2 file must contain a unique Handler ID Number.

Field No.	Field Name	Starting Column	Field Length	Data Type	Description	Location on Form	Data Class	Edit Number
11	USED_OIL_TRANSPORTER	22	1	A	Used Oil Transporter (If SUBMITTAL_REASON = 'R' Then Checked = 'Y', Unchecked and not implementer required = 'U', Unchecked and implementer required = 'N' If SUBMITTAL_REASON = 'B' Then Checked = 'Y', Unchecked = 'N')	SI-10-C-1-A	S	SI630
12	USED_OIL_TRANSFER_FACILITY	23	1	A	Used Oil Transfer Facility (If SUBMITTAL_REASON = 'R' Then Checked = 'Y', Unchecked and not implementer required = 'U', Unchecked and implementer required = 'N' If SUBMITTAL_REASON = 'B' Then Checked = 'Y', Unchecked = 'N')	SI-10-C-1-B	S	SI640
13	USED_OIL_PROCESSOR	24	1	A	Used Oil Processor (If SUBMITTAL_REASON = 'R' Then Checked = 'Y', Unchecked and not implementer required = 'U', Unchecked and implementer required = 'N' If SUBMITTAL_REASON = 'B' Then Checked = 'Y', Unchecked = 'N')	SI-10-C-2-A	S	SI650
14	USED_OIL_REFINER	25	1	A	Used Oil Re-refiner (If SUBMITTAL_REASON = 'R' Then Checked = 'Y', Unchecked and not implementer required = 'U', Unchecked and implementer required = 'N' If SUBMITTAL_REASON = 'B' Then Checked = 'Y', Unchecked = 'N')	SI-10-C-2-B	S	SI660
15	USED_OIL_BURNER	26	1	A	Off-Specification Used Oil Burner (If SUBMITTAL_REASON = 'R' Then Checked = 'Y', Unchecked and not implementer required = 'U', Unchecked and implementer required = 'N' If SUBMITTAL_REASON = 'B' Then Checked = 'Y', Unchecked = 'N')	SI-10-C-3	S	SI670

FLAT FILE ID# - SI2

Source Form: Site ID **Description:** Handler Universal Waste and Used Oil Activities

This file captures the information contained in Section 10, Block B, Questions 1A - 1D of the Site ID form. This file should contain one and only one record for each Handler ID reporting.

Key Fields: Handler ID Number (HANDLER_ID).

Each record in the SI2 file must contain a unique Handler ID Number.

Field No.	Field Name	Starting Column	Field Length	Data Type	Description	Location on Form	Data Class	Edit Number
16	USED_OIL_MARKET_BURNER	27	1	A	Used Oil Fuel Marketer Who Directs Shipment of Off-Specification Used Oil to Off-Specification Used Oil Burner (If SUBMITTAL_REASON = 'R' Then Checked = 'Y', Unchecked and not implementer required = 'U', Unchecked and implementer required = 'N' If SUBMITTAL_REASON = 'B' Then Checked = 'Y', Unchecked = 'N')	SI-10-C-4-A	S	SI680
17	USED_OIL_SPEC_MARKETER	28	1	A	Used Oil Fuel Marketer Who First Claims the Used Oil Meets the Specifications (If SUBMITTAL_REASON = 'R' Then Checked = 'Y', Unchecked and not implementer required = 'U', Unchecked and implementer required = 'N' If SUBMITTAL_REASON = 'B' Then Checked = 'Y', Unchecked = 'N')	SI-10-C-4-B	S	SI690
Total Record Length:			28					

FLAT FILE ID# - SI3

Source Form: Site ID **Description:** Handler Other Universal Waste Activities

This file captures the information contained in Section 10, Block B, Question 1E of the Site ID form. The relationship of these data records to the reported site is *n*:1, that is there can be multiple other waste activities for each site.

Key Fields: Handler ID Number (HANDLER_ID); Other Universal Waste Activities (UNIVERSAL_WASTE).

Each record in the SI3 file must contain a unique combination of the Handler ID Number and Other Universal Waste Activities.

Field No.	Field Name	Starting Column	Field Length	Data Type	Description	Location on Form	Data Class	Edit Number
1	HANDLER_ID	1	12	A	EPA Identification Number	SI-2	S,K	SI700
2	UNIVERSAL_WASTE	13	1	A	Other Universal Waste Activities	SI-10-B-1-E	S,K	SI720
3	GENERATED	14	1	A	Generated Other Universal Waste Activities (If SUBMITTAL_REASON = 'R' Then Checked = 'Y', Unchecked and not implementer required = 'U', Unchecked and implementer required = 'N' If SUBMITTAL_REASON = 'B' Then Checked = 'Y', Unchecked = 'N')	SI-10-B-1-E	S	SI730, SI750
4	ACCUMULATED	15	1	A	Accumulated Other Universal Waste Activities (If SUBMITTAL_REASON = 'R' Then Checked = 'Y', Unchecked and not implementer required = 'U', Unchecked and implementer required = 'N' If SUBMITTAL_REASON = 'B' Then Checked = 'Y', Unchecked = 'N')	SI-10-B-1-E	S	SI740, SI750
Total Record Length:			15					

FLAT FILE ID# - SI4

Source Form: Site ID **Description:** Waste Codes for Federally Regulated Hazardous Wastes

This file captures the information contained in Section 11, Block A of the Site ID form. The relationship of these data records to the reported site is *n*: 1, that is there can be multiple federal waste codes for each site.

Key Fields: Handler ID Number (HANDLER_ID); Federal Waste Code (EPA_WASTE_CODE).

Each record in the SI4 file must contain a unique combination of the Handler ID Number and Federal Waste Code.

Field No.	Field Name	Starting Column	Field Length	Data Type	Description	Location on Form	Data Class	Edit Number
1	HANDLER_ID	1	12	A	EPA Identification Number	SI-2	S,K	SI760
2	EPA_WASTE_CODE	13	4	A	Waste Codes for Federally Regulated Hazardous Wastes	SI-11-A	S,K	SI780
Total Record Length:			16					

FLAT FILE ID# - SI5

Source Form: Site ID **Description:** Waste Codes for State-Regulated Hazardous Wastes

This file captures the information contained in Section 11, Block B of the Site ID form. The relationship of these data records to the reported site is *n*:1, that is there can be multiple state waste codes for each site.

Key Fields: Handler ID Number (HANDLER_ID); State Waste Code (STATE_WASTE_CODE).

Each record in the SI5 file must contain a unique combination of the Handler ID Number and State Waste Code.

Field No.	Field Name	Starting Column	Field Length	Data Type	Description	Location on Form	Data Class	Edit Number
1	HANDLER_ID	1	12	A	EPA Identification Number	SI-2	S,K	SI790
2	STATE_WASTE_CODE	13	6	A	Waste Code for State-Regulated Hazardous Waste	SI-11-B	S,K	SI810
Total Record Length:			18					

FLAT FILE ID# - SI6

Source Form: Site ID **Description:** North American Industry Classification System Codes for the Site

This file captures the information contained in Section 6 of the Site ID form. The relationship of these data records to the reported site is *n:1*, that is there can be multiple NAICS for each site.

Key Fields: Handler ID Number (HANDLER_ID); NAICS Sequence Number (NAICS_SEQ).

Each record in the SI6 file must contain a unique combination of the Handler ID Number and the NAICS Sequence Number.

Field No.	Field Name	Starting Column	Field Length	Data Type	Description	Location on Form	Data Class	Edit Number
1	HANDLER_ID	1	12	A	EPA Identification Number	SI-2	N,K	SI200, SI230
2	NAICS_SEQ	13	4	I	NAICS Sequence Number	Assigned by Respondent	R,K	SI210, SI235
3	NAICS_CODE	17	6	A	North American Industry Classification System Code.	SI-6	N	SI220
Total Record Length:			22					

FLAT FILE ID# - SI7

Source Form: Site ID **Description:** Site Identification Form Certification

This file captures the information contained in Section 13 of the Site ID form. The relationship of these data records to the reported site is *n:1*, that is there can be multiple certifications for each site.

Key Fields: Handler ID Number (HANDLER_ID); Certification Sequence Number (CERT_SEQ).

Each record in the SI7 file must contain a unique combination of the Handler ID Number and Certification Sequence Number.

Field No.	Field Name	Starting Column	Field Length	Data Type	Description	Location on Form	Data Class	Edit Number
1	HANDLER_ID	1	12	A	EPA Identification Number	SI-2	N,K	SI240, SI290
2	CERT_SEQ	13	2	I	Certification Sequence Number	Assigned by Respondent	R,K	SI250
3	CERT_FIRST_NAME	15	15	A	Certification First Name	SI-13	N	SI265
4	CERT_MIDDLE_INITIAL	30	1	A	Certification Middle Initial	SI-13	S	
5	CERT_LAST_NAME	31	15	A	Certification Last Name	SI-13	N	SI260
6	CERT_TITLE	46	15	A	Certification Title	SI-13	N	SI270
7	CERT_SIGNED_DATE	61	8	I	Date Certification was Signed (CCYYMMDD)	SI-13	N	SI280
Total Record Length:			68					

FLAT FILE ID# - SI8

Source Form: NA **Description:** State Specific Activities

This file reports the state specific activities for each site. Although not on the EPA Form 8700-13A/B, this file is available for states who wish to report this information. The relationship of these data records to the reported site is *n*:1, that is there can be multiple state specific activities for each site.

Key Fields: Handler ID Number (HANDLER_ID); State Activity Type (STATE_ACTIVITY_TYPE).

Each record in the SI8 file must contain a unique combination of the Handler ID Number and State Activity Type.

Field No.	Field Name	Starting Column	Field Length	Data Type	Description	Location on Form	Data Class	Edit Number
1	HANDLER_ID	1	12	A	EPA Identification Number		S,K	SI820
2	STATE_ACTIVITY_TYPE	13	1	A	State Activity Type		S,K	SI830
3	NOTES	14	240	A	Notes / Comments		S	
Total Record Length:			253					

FLAT FILE ID# - SI9

Source Form: Site ID **Description:** Owner / Operator Name and Address

This file reports the owner and operator name and address for each site. The owner / operator name, date and type are on the EPA Form 8700-13A/B. The file specification includes owner / operator address information for states who wish to report this information. The relationship of these data records to the reported site is n:1, that is there can be multiple owner and operator names and addresses for each site.

Key Fields: Handler ID Number (HANDLER_ID); Owner / Operator Sequence Number (OWNER_OPERATOR_SEQ_NO) .

Each record in the SI9 file must contain a unique combination of the Handler ID Number and Owner / Operator Sequence Number.

Field No.	Field Name	Starting Column	Field Length	Data Type	Description	Location on Form	Data Class	Edit Number
1	HANDLER_ID	1	12	A	EPA Identification Number		S,K	SI840
2	OWNER_OPERATOR_SEQ_NO	13	4	I	Owner / Operator Sequence Number		R,K	
3	OWNER_OPERATOR_INDICATOR	17	2	A	Owner / Operator Indicator (Current Owner = 'CO', Current Operator = 'CP')		S	SI910, SI920
4	OWNER_OPERATOR_NAME	19	40	A	Site's Legal Owner / Operator	SI-9-A, SI-9-B	S	SI440
5	OWNER_OPERATOR_DATE	59	8	I	Date Became Owner / Operator (CCYYMMDD)	SI-9-A, SI-9-B	S	SI420
6	OWNER_OPERATOR_TYPE	67	1	A	Owner / Operator Type (Private = 'P', County = 'C', District = 'D', Federal = 'F', Indian = 'I', Municipal = 'M', State = 'S', Other = 'O')	SI-9-A, SI-9-B	S	SI430
7	OWNER_OPERATOR_STREET_NO	68	12	A	Owner / Operator Street Number		S	
8	OWNER_OPERATOR_STREET1	80	30	A	Owner / Operator Street 1		S	
9	OWNER_OPERATOR_STREET2	110	30	A	Owner / Operator Street 2		S	
10	OWNER_OPERATOR_CITY	140	25	A	Owner / Operator City		S	
11	OWNER_OPERATOR_STATE	165	2	A	Owner / Operator State		S	SI850
12	OWNER_OPERATOR_ZIP	167	14	A	Owner / Operator Zip Code		S	SI870
13	OWNER_OPERATOR_COUNTRY	181	50	A	Owner / Operator Country		S	SI890
14	OWNER_OPERATOR_NOTES	231	240	A	Owner / Operator Notes		S	
Total Record Length:			470					

FLAT FILE ID# - GM1

Source Form: GM **Description:** Waste Measurement Information

This file captures data elements that have a 1:1 relationship to the reported waste. These data elements are as follows: GM Section 1, Blocks D through H; GM Section 2; and GM Section 3, Block A.

Key Fields: Handler ID Number (HANDLER_ID); Page Number (HZ_PG).

Each record in the GM1 file must contain a unique combination of the Handler ID Number and Page Number.

Field No.	Field Name	Starting Column	Field Length	Data Type	Description	Location on Form	Data Class	Edit Number
1	HANDLER_ID	1	12	A	EPA ID Number	Site ID Block	N,K	GM000
2	HZ_PG	13	5	I	Page Number	Assigned By Respondent	R,K	GM010
3	FORM_CODE	18	4	A	Waste Form Code	GM-1-E	S	GM220
4	UNIT_OF_MEASURE	22	1	A	Unit of Measure (Pounds = '1', Short Tons = '2', Kilograms = '3', Metric Tonnes = '4', Gallons = '5', Liters = '6', Cubic Yards = '7')	GM-1-H	N	GM020
5	WST_DENSITY	23	6	D3.2	Density	GM-1-H	N	GM030, GM040
6	DENSITY_UNIT_OF_MEASURE	29	1	A	Density Unit of Measure (lbs/gal = '1', sg = '2')	GM-1-H	N	GM030
7	ORIGIN_MANAGEMENT_METHOD	30	4	A	Origin management method for source code G25	GM-1-D	N	GM230
8	RADIOACTIVE_MIX	34	1	A	RCRA-Radioactive Mixed (Checked = 'Y', Unchecked = 'N')	GM-1-F	N	GM260
9	SOURCE_CODE	35	3	A	Source Code	GM-1-D	N	GM270
10	GEN_QTY	38	18	D11.6	Quantity Generated in Reporting Year	GM-1-G	N	GM050
11	INCLUDE_IN_NATIONAL_REPORT	56	1	A	Include Information in the National Hazardous Waste Report (Yes = 'Y', No = 'N')		N	GM310
12	DESCRIPTION	57	240	A	Waste Stream Description	GM-1-A	S	
13	NOTES	297	240	A	Comments / Notes	Bottom of GM Form	S	
Total Record Length:			536					

FLAT FILE ID# - GM2

Source Form: GM **Description:** EPA Hazardous Waste Codes for each GM page

This file captures the information contained in Section 1, Block B of the GM form. The relationship of these data records to the reported waste is *n:1*, that is there can be multiple EPA waste codes for each unique reported waste.

Key Fields: Handler ID Number (HANDLER_ID); Page Number (HZ_PG); EPA Hazardous Waste Code (EPA_WASTE_CODE).

Each record in the GM2 file must contain a unique combination of the Handler ID Number, Page Number and EPA Hazardous Waste Code.

Field No.	Field Name	Starting Column	Field Length	Data Type	Description	Location on Form	Data Class	Edit Number
1	HANDLER_ID	1	12	A	EPA ID Number	Site ID Block	N,K	GM060, GM100
2	HZ_PG	13	5	I	Page Number	Assigned by Respondent	R,K	
3	EPA_WASTE_CODE	18	4	A	EPA Hazardous Waste Code	GM-1-B	N,K	GM090
Total Record Length:			21					

FLAT FILE ID# - GM3

Source Form: GM **Description:** State Hazardous Waste Codes for each GM page

This file captures the information contained in Section 1, Block C of the GM form. The relationship of these data records to the reported waste is *n:1*, that is there can be multiple State waste codes for each unique reported waste.

Key Fields: Handler ID Number (HANDLER_ID); Page Number (HZ_PG); State Hazardous Waste Code (WASTE_CODE).

Each record in the GM3 file must contain a unique combination of the Handler ID Number, Page Number, and State Hazardous Waste Code.

Field No.	Field Name	Starting Column	Field Length	Data Type	Description	Location on Form	Data Class	Edit Number
1	HANDLER_ID	1	12	A	EPA ID Number	Site ID Block	S,K	GM280
2	HZ_PG	13	5	I	Page Number	Assigned by respondent	R,K	
3	WASTE_CODE	18	6	A	State Hazardous Waste Code	GM-1-C	S,K	GM300
Total Record Length:			23					

FLAT FILE ID# - GM4

Source Form: GM **Description:** Off-Site Management Information for the Reported Waste on Each GM Page

This file captures off-site treatment information for the reported waste as represented in GM Section 3, Blocks B through D. The relationship of these data records to the reported waste is *n:1*, that is there can be multiple off-site information for each unique reported waste.

Key Fields: Handler ID Number (HANDLER_ID); Page Number (HZ_PG); Off-site Sequence Number (IO_PG_NUM_SEQ).

Each record in the GM4 file must contain a unique combination of the Handler ID Number, Page Number and Off-site Sequence Number.

Field No.	Field Name	Starting Column	Field Length	Data Type	Description	Location on Form	Data Class	Edit Number
1	HANDLER_ID	1	12	A	EPA ID Number	Site ID Block	N,K	GM110
2	HZ_PG	13	5	I	Page Number	Assigned by Respondent	R,K	
3	IO_PG_NUM_SEQ	18	5	I	Off-site Sequence Number	GM-3 Site# Block	R,K	GM120
4	MANAGEMENT_METHOD	23	4	A	Off-site Management Method	GM-3-C	S	GM160
5	IO_TDR_ID	27	12	A	EPA ID No. of Off-site Facility Shipped to	GM-3-B	N	GM140
6	IO_TDR_QTY	39	18	D11.6	Total Quantity Shipped to EPA ID in Field 5 in Current Reporting Year	GM-3-D	N	GM150
Total Record Length:			56					

FLAT FILE ID# - GM5

Source Form: GM **Description:** On-site Management Information for the Reported Waste on Each GM Page.

This file captures on-site treatment information as contained in Section 2 of the GM form. The relationship of the data element to the reported waste is *n:1*, that is there can be multiple on-site information for each unique reported waste.

Key Fields: Handler ID Number (HANDLER_ID); Page Number (HZ_PG); On-site Sequence Number (SYS_PG_NUM_SEQ).

Each record in the GM5 file must contain a unique combination of the Handler ID Number, Page Number and On-site Sequence Number.

Field No.	Field Name	Starting Column	Field Length	Data Type	Description	Location on Form	Data Class	Edit Number
1	HANDLER_ID	1	12	A	EPA ID Number	Site ID Block	N,K	GM170
2	HZ_PG	13	5	I	Page Number	Assigned by Respondent	R,K	
3	SYS_PG_NUM_SEQ	18	5	I	On-site Sequence Number	GM-2 System# Block	R,K	GM180
4	MANAGEMENT_METHOD	23	4	A	On-site Management Method	GM-2	N	GM210
5	SYS_TDR_QTY	27	18	D11.6	Quantity Treated, Disposed or Recycled On-site in Current Reporting Year	GM-2	N	GM190
Total Record Length:			44					

FLAT FILE ID# - WR1

Source Form: WR **Description:** Received Waste Description and Measurement Information

This file captures the information contained in Blocks D through I of the WR form. The relationship of these data records to the reported site is *n:1*, that is there can be multiple received waste for each site.

Key Fields: Handler ID Number (HANDLER_ID); Page Number (HZ_PG); Waste Number (SUB_PG_NUM).

Each record in the WR1 file must contain a unique combination of Handler ID Number, Page Number, and Waste Number.

Field No.	Field Name	Starting Column	Field Length	Data Type	Description	Location on Form	Data Class	Edit Number
1	HANDLER_ID	1	12	A	EPA ID Number	Site ID Block	N,K	WR000
2	HZ_PG	13	5	I	Page Number	Assigned by Respondent	R,K	WR010
3	SUB_PG_NUM	18	1	I	Waste Number	Printed on Form	R,K	WR020
4	FORM_CODE	19	4	A	Form code	WR-G	S	WR180
5	UNIT_OF_MEASURE	23	1	A	Unit of Measure (Pounds = '1', Short Tons = '2', Kilograms = '3', Metric Tonnes = '4', Gallons = '5', Liters = '6', Cubic Yards = '7')	WR-F	N	WR030
6	WST_DENSITY	24	6	D3.2	Density	WR-F	N	WR040, WR050
7	DENSITY_UNIT_OF_MEASURE	30	1	A	Density Unit of Measure (lbs/gal = '1', sg = '2')	WR-F	N	WR040
8	RADIOACTIVE_MIX	31	1	A	RCRA-Radioactive mixed (Checked = 'Y', Unchecked = 'N')	WR-H	N	WR190
9	MANAGEMENT_METHOD	32	4	A	Management Method	WR-I	N	WR060
10	IO_TDR_ID	36	12	A	Off-site Source EPA ID Number	WR-D	N	WR070
11	IO_TDR_QTY	48	18	D11.6	Quantity Received in Current Reporting Year	WR-E	N	WR080
12	INCLUDE_IN_NATIONAL_REPORT	66	1	A	Include Information in the National Hazardous Waste Report (Yes = 'Y', No = 'N')		S	WR230
13	DESCRIPTION	67	240	A	Waste Stream Description	WR-A	S	
14	NOTES	307	240	A	Comments / Notes	Bottom of WR Form	S	
Total Record Length:			546					

FLAT FILE ID# - WR2

Source Form: WR **Description:** EPA Hazardous Waste Codes for Each Reported Waste Received

This file contains the EPA hazardous waste codes for each WR form page as described in Form WR, Block B. The relationship of these data records to the reported waste is *n:1*, that is there can be multiple EPA waste codes for each unique reported waste.

Key Fields: Handler ID Number (HANDLER_ID); Page Number (HZ_PG); Waste Number (SUB_PG_NUM); EPA Hazardous Waste Code (EPA_WASTE_CODE).

Each record in the WR2 file must contain a unique combination of the Handler ID Number, Page Number, Waste Number and EPA Hazardous Waste Code.

Field No.	Field Name	Starting Column	Field Length	Data Type	Description	Location on Form	Data Class	Edit Number
1	HANDLER_ID	1	12	A	EPA ID Number	Site ID Block	N,K	WR090, WR130
2	HZ_PG	13	5	I	Page Number	Assigned by Respondent	R,K	
3	SUB_PG_NUM	18	1	I	Waste Number	Printed on Form	R,K	WR020
4	EPA_WASTE_CODE	19	4	A	EPA Hazardous Waste Code	WR-B	N,K	WR110
Total Record Length:			22					

FLAT FILE ID# - WR3

Source Form: WR **Description:** State Hazardous Waste Codes for Each Reported Waste Received

This file contains the State hazardous waste codes for each WR form page as described in Form WR, Block C. The relationship of these data records to the reported waste is n:1, that is there can be multiple State waste codes for each unique reported waste.

Key Fields: Handler ID Number (HANDLER_ID); Page Number (HZ_PG); Waste Number (SUB_PG_NUM); State Hazardous Waste Code (WASTE_CODE)

Each record in the WR3 file must contain a unique combination of the Handler ID Number, Page Number, Waste Number, and State Hazardous Waste Code.

Field No.	Field Name	Starting Column	Field Length	Data Type	Description	Location on Form	Data Class	Edit Number
1	HANDLER_ID	1	12	A	EPA ID Number	Site ID Block	S,K	WR200
2	HZ_PG	13	5	I	Page Number	Assigned by Respondent	R,K	
3	SUB_PG_NUM	18	1	I	Waste Number	Printed on Form	R,K	WR020
4	WASTE_CODE	19	6	A	State Hazardous Waste Code	WR-C	S,K	WR220
Total Record Length:			24					

FLAT FILE ID# - OI1

Source Form: OI **Description:** Identification of All Handlers to Whom or From Whom Waste was Shipped, and Transporters

This file captures information from the OI form. This flat file should never be included in submissions to RCRAInfo.

Key Fields: Handler ID Number (HANDLER_ID); Page Number (OSITE_PGNUM).

Each record in the OI1 file must contain a unique combination of EPA ID Number and Page Number.

Field No.	Field Name	Starting Column	Field Length	Data Type	Description	Location on Form	Data Class	Edit Number
1	HANDLER_ID	1	12	A	EPA ID Number	Site ID Block	S,K	
2	OSITE_PGNUM	13	5	I	Page Number	Assigned by Respondent	S,K	
3	OFF_ID	18	12	A	Off-site Installation or Transporter EPA ID Number	OI-A	S	
4	WST_GEN_FLG	30	1	A	Handler Type = Generator (Checked = 'Y', Unchecked and not implementer required = 'U', Unchecked and implementer required = 'N')	OI-C	S	
5	WST_TRNS_FLG	31	1	A	Handler Type= Transporter (Checked = 'Y', Unchecked and not implementer required = 'U', Unchecked and implementer required = 'N')	OI-C	S	
6	WST_TSDR_FLG	32	1	A	Handler Type = TSDR (Checked = 'Y', Unchecked and not implementer required = 'U', Unchecked and implementer required = 'N')	OI-C	S	
7	ONAME	33	40	A	Name of Off-site Installation or Transporter	OI-B	S	
8	O1STREET	73	30	A	1st Street Address Line of Installation or Transporter	OI-D	S	
9	O2STREET	103	30	A	2nd Street Address Line of Installation or Transporter	OI-D	S	
10	OCITY	133	25	A	City	OI-D	S	
11	OSTATE	158	2	A	State	OI-D	S	
12	OZIP	160	9	A	Zip Code	OI-D	S	
13	NOTES	169	240	A	Comments / Notes	Bottom of OI Form		
Total Record Length:			408					

APPENDIX C

Data Assessment Edits

APPENDIX C - Data Assessment Edits

All data submitted must meet the appropriate data assessment edits. The data assessment edits for shared data elements applies only if the data is provided. For child table records, data assessment edits apply only if the record is being submitted.

C.1 Generic Data Edits

Edit Number	Form Location	Edit Description	Select Logic*
GN000	All	A non-valid character was found in a character field.	CHARACTER = allowed value as specified in Section 4.3.1
GN010	All	Alphabetic character found in numeric field.	NUMERIC_DIGIT = allowed value as specified in Section 4.3.2 or Section 4.3.3
GN020	All	Duplicate records found in file submission.	Combination of key fields for specific file must be unique

C.2 Control File Edits

Edit Number	Form Location	Edit Description	Select Logic*
CL000	Control File	The first two characters of the file name must be a valid state postal code (see Appendix H).	SUBSTR(FILE_NAME,1,2) = valid state postal code (see Appendix H).
CL010	Control File	Flat files specified must be for the state for which data is being submitted	SUBSTR(FILE_NAME,1,2) = state postal code of submission
CL020	Control File	Characters 3-5 of the file name must be a valid flat file identifier (SI1, SI2, SI3, SI4, SI5, SI6, SI7, SI8, SI9, GM1, GM2, GM3, GM4, GM5, WR1, WR2, WR3).	SUBSTR(FILE_NAME,3,3) = SI1 or SI2 or SI3 or SI4 or SI5 or SI6 or SI7 or SI8 or SI9 or GM1 or GM2 or GM3 or GM4 or GM5 or WR1 or WR2 or WR3
CL030	Control File	Characters 6-8 must be greater than zero and less than or equal to 366.	SUBSTR(FILE_NAME,6,3) > 0 AND <= 366
CL040	Control File	The date created must be a valid date greater than 19000101 (January 1, 1900).	DATE_CREATED = valid date
CL050	Control File	The record count must be greater than zero and less than or equal to 99,999,999.	RECORD_COUNT > 0 AND <= 99999999

C.3 Site Identification Form Edits

Edit Number	Form Location	Edit Description	Select Logic*
SI000	SI-2	The first two characters of the EPA ID must match the state code for which data is being submitted.	SUBSTR(HANDLER_ID,1,2) = state postal code of submission
SI010	SI-2	The EPA ID must pass the check digit routine.	See Appendix E
SI015	SI-1	The reason for submittal must be 'R' or 'B'.	SUBMITTAL_REASON = 'R' or 'B'
SI020	SI-3	Handler name must be provided.	HANDLER_NAME <> ' '
SI040	SI-4	Location street must be provided.	LOCATION_STREET_NO <> ' '
SI050	SI-4	Location city, town or village must be provided.	LOCATION_CITY <> ' '
SI060	SI-4	Location county name must be a value specified at http://www.itl.nist.gov/fipspubs/co-codes/states.htm .	COUNTY_NAME <> county name specified at http://www.itl.nist.gov/fipspubs/co-codes/states.htm
SI070	SI-4	Location state must be provided.	LOCATION_STATE <> ' '
SI080	SI-4	Location zip code must be provided.	LOCATION_ZIP <> ''
SI085	SI-7	Location zip code must contain only the characters 0, 1, 2, 3, 4, 5, 6, 7, 8, 9 or blank.	LOCATION_ZIP characters = '0', '1', '2', '3', '4', '5', '6', '7', '8', '9', ''
SI090	SI-4	The state indicated in the site location address must be the same as the first two characters of the site's EPA ID	LOCATION_STATE = SUBSTR(HANDLER_ID,1,2)
SI100	SI-7	Mailing street must be provided.	MAIL_STREET1 <> ' '
SI110	SI-7	Mailing city, town or village must be provided.	MAIL_CITY <> ' '
SI120	SI-7	Mailing state must be provided.	MAIL_STATE <> ' '
SI130	SI-7	Mailing zip code must be provided.	MAIL_ZIP <> ''
SI135	SI-7	Mailing zip code must contain only the characters 0, 1, 2, 3, 4, 5, 6, 7, 8, 9 or blank.	MAIL_ZIP characters = '0', '1', '2', '3', '4', '5', '6', '7', '8', '9', ''

Edit Number	Form Location	Edit Description	Select Logic*
SI140	SI-7	Mailing country must be an ISO 3166 value (see http://www.din.de/gremien/nas/nabd/iso3166ma/index.html for valid values). If the mailing country is blank, a value of UNITED STATES will be assumed.	MAIL_COUNTRY = ISO 3166 country name
SI150	SI-8	Contact last name must be provided.	CONTACT_LAST_NAME <> ' '
SI160	SI-8	Contact first name be provided.	CONTACT_FIRST_NAME <> ' '
SI170	SI-9	Contact phone number must be provided.	CONTACT_PHONE <> ' '
SI175	SI-10-A-1	State generator status must be registered with the RCRAInfo database.	STATE_GENERATOR_STATUS = implementer defined value
SI180	SI-10-A-1	Generator of hazardous waste indicator must equal '1', '2', '3', or 'N'.	GENERATOR_ACTIVITY = '1' or '2' or '3' or 'N'
SI190	SI-10-A-3	Treater, Storer or Disposer indicator must equal 'Y' or 'N'.	TSD_ACTIVITY = 'Y' or 'N'
SI200	SI-2	SI6 record is present, but corresponding record does not exist in the SI1 file.	HANDLER_ID in SI1 file
SI210	SI- Assigned by respondent	NAICS sequence number must be greater than zero.	NAICS_SEQ > 0
SI220	SI-6	North American industry classification system code must be a value specified at http://www.census.gov/epcd/naics/naicscod.txt .	NAICS_CODE = naics code specified at http://www.census.gov/epcd/naics/naicscod.txt
SI230	SI-6	NAICS data must be provided.	HANDLER_ID in SI1 file and in SI6 file
SI235	SI-6	One SI6 record with sequence number = 1 must be provided.	Record in SI6 where NAICS_SEQ = 1
SI240	SI-2	SI7 record is present, but corresponding record does not exist in the SI1 file.	HANDLER_ID in SI1 file
SI250	SI- Assigned by respondent	Certification sequence number must be greater than zero.	CERT_SEQ > 0
SI260	SI-13	Certification last name must be provided.	CERT_LAST_NAME <> ' '
SI265	SI-13	Certification first name must be provided.	CERT_FIRST_NAME <> ' '
SI270	SI-13	Certification title must be provided.	CERT_TITLE <> ' '

Edit Number	Form Location	Edit Description	Select Logic*
SI280	SI-13	Date certification was signed must be a valid date greater than 20000101 (January 1, 2000).	CERT_SIGNED_DATE = valid_date
SI290	SI-13	Certification data must be provided.	HANDLER_ID in SI1 file and in SI7 file
SI310	SI-5	If submittal reason = 'B' then site land type must equal 'P', 'C', 'D', 'F', 'T', 'M', 'S', 'O'. IF submittal reason = 'R' then site land type must equal 'P', 'C', 'D', 'F', 'T', 'M', 'S', 'O' or blank.	If SUBMITTAL_REASON = 'B' THEN LAND_TYPE = 'P' or 'C' or 'D' or 'F' or 'T' or 'M' or 'S' or 'O' Else LAND_TYPE = 'P' or 'C' or 'D' or 'F' or 'T' or 'M' or 'S' or 'O' or ''
SI420	SI-9-A, SI-9-B	If submittal reason = 'B' then owner / operator date must be a valid date greater than 1700101 (January 1, 1700). If submittal reason = 'R' then owner / operator date must be a valid date greater than 1700101 (January 1, 1700) or blank.	If SUBMITTAL_REASON = 'B' THEN OWNER_OPERATOR_DATE = valid date Else OWNER_OPERATOR_DATE = valid date or OWNER_OPERATOR_DATE = ''
SI430	SI-9-A, SI-9-B	If submittal reason = 'B' then owner / operator type must equal 'P', 'C', 'D', 'F', 'T', 'M', 'S', 'O'. IF submittal reason = 'R' then owner / operator type must equal 'P', 'C', 'D', 'F', 'T', 'M', 'S', 'O' or blank.	If SUBMITTAL_REASON = 'B' THEN OWNER_OPERATOR_TYPE = 'P' or 'C' or 'D' or 'F' or 'T' or 'M' or 'S' or 'O' Else OWNER_OPERATOR_TYPE = 'P' or 'C' or 'D' or 'F' or 'T' or 'M' or 'S' or 'O' or ''
SI440	SI-9-A, SI-9-B	If submittal reason = 'B' then owner / operator name must be provided.	If SUBMITTAL_REASON = 'B' THEN OWNER_OPERATOR_NAME <> ''.
SI460	SI-10-A-1	Importer of hazardous waste indicator must equal 'Y' or 'N'.	IMPORTER_ACTIVITY = 'Y' or 'N'
SI470	SI-10-A-1	Mixed waste generator indicator must equal 'Y' or 'N'.	MIXED_WASTE_GENERATOR = 'Y' or 'N'
SI480	SI-10-A-2	If submittal reason equals 'R' then transporter indicator must equal 'Y', 'N', or 'U'. If submittal reason equals 'B' then transporter indicator must equal 'Y' or 'N'.	If SUBMITTAL_REASON = 'R' Then TRANSPORTER_ACTIVITY = 'Y' or 'N' or 'U' Else TRANSPORTER_ACTIVITY = 'Y' or 'N'
SI490	SI-10-A-4	If submittal reason equals 'R' then recycler indicator must equal 'Y', 'N', or 'U'. If submittal reason equals 'B' then recycler indicator must equal 'Y' or 'N'.	If SUBMITTAL_REASON = 'R' Then RECYCLER_ACTIVITY = 'Y' or 'N' or 'U' Else RECYCLER_ACTIVITY = 'Y' or 'N'
SI500	SI-10-A-5	If submittal reason equals 'R' then small quantity on-site burner exemption indicator must equal 'Y', 'N', or 'U'. If submittal reason equals 'B' then small quantity on-site burner exemption indicator must equal 'Y' or 'N'.	If SUBMITTAL_REASON = 'R' Then HWFUEL_ONSITE_BURNER_EXEMPT = 'Y' or 'N' or 'U' Else HWFUEL_ONSITE_BURNER_EXEMPT = 'Y' or 'N'

Edit Number	Form Location	Edit Description	Select Logic*
SI510	SI-10-A-5	If submittal reason equals 'R' then smelting, melting, refining furnace exemption indicator must equal 'Y', 'N', or 'U'. If submittal reason equals 'B' then smelting, melting, refining furnace exemption indicator must equal 'Y' or 'N'.	If SUBMITTAL_REASON = 'R' Then HWFUEL_FURNACE_EXEMPT = 'Y' or 'N' or 'U' Else HWFUEL_FURNACE_EXEMPT = 'Y' or 'N'
SI520	SI-10-A-6	If submittal reason equals 'R' then underground injection control indicator must equal 'Y', 'N', or 'U'. If submittal reason equals 'B' then underground injection control indicator must equal 'Y' or 'N'.	If SUBMITTAL_REASON = 'R' Then UNDERGROUND_INJECTION_ACTIVITY = 'Y' or 'N' or 'U' Else UNDERGROUND_INJECTION_ACTIVITY = 'Y' or 'N'
SI530	SI-2	SI2 record is present, but corresponding record does not exist in the SI1 file.	HANDLER_ID not in SI1 file
SI540	SI-10-B-1-A	If submittal reason equals 'R' then large quantity generator of batteries must equal 'Y', 'N', or 'U'. If submittal reason equals 'B' then large quantity generator of batteries indicator must equal 'Y' or 'N'.	If SUBMITTAL_REASON = 'R' Then GEN_BATTERIES = 'Y' or 'N' or 'U' Else GEN_BATTERIES = 'Y' or 'N'
SI550	SI-10-B-1-A	If submittal reason equals 'R' then large quantity accumulator of batteries must equal 'Y', 'N', or 'U'. If submittal reason equals 'B' then large quantity accumulator of batteries indicator must equal 'Y' or 'N'.	If SUBMITTAL_REASON = 'R' Then ACC_BATTERIES = 'Y' or 'N' or 'U' Else ACC_BATTERIES = 'Y' or 'N'
SI560	SI-10-B-1-B	If submittal reason equals 'R' then large quantity generator of pesticides must equal 'Y', 'N', or 'U'. If submittal reason equals 'B' then large quantity generator of pesticides indicator must equal 'Y' or 'N'.	If SUBMITTAL_REASON = 'R' Then GEN_PESTICIDES = 'Y' or 'N' or 'U' Else GEN_PESTICIES = 'Y' or 'N'
SI570	SI-10-B-1-B	If submittal reason equals 'R' then large quantity accumulator of pesticides must equal 'Y', 'N', or 'U'. If submittal reason equals 'B' then large quantity accumulator of pesticides indicator must equal 'Y' or 'N'.	If SUBMITTAL_REASON = 'R' Then ACC_PESTICIDES = 'Y' or 'N' or 'U' Else ACC_PESTICIDES = 'Y' or 'N'
SI580	SI-10-B-1-C	If submittal reason equals 'R' then large quantity generator of thermostats must equal 'Y', 'N', or 'U'. If submittal reason equals 'B' then large quantity generator of thermostats indicator must equal 'Y' or 'N'.	If SUBMITTAL_REASON = 'R' Then GEN_THERMOSTATS = 'Y' or 'N' or 'U' Else GEN_THERMOSTATS = 'Y' or 'N'
SI590	SI-10-B-1-C	If submittal reason equals 'R' then large quantity accumulator of thermostats must equal 'Y', 'N', or 'U'. If submittal reason equals 'B' then large quantity accumulator of thermostats indicator must equal 'Y' or 'N'.	If SUBMITTAL_REASON = 'R' Then ACC_THERMOSTATS = 'Y' or 'N' or 'U' Else ACC_THERMOSTATS = 'Y' or 'N'

Edit Number	Form Location	Edit Description	Select Logic*
SI600	SI-10-B-1-D	If submittal reason equals 'R' then large quantity generator of lamps must equal 'Y', 'N', or 'U'. If submittal reason equals 'B' then large quantity generator of lamps indicator must equal 'Y' or 'N'.	If SUBMITTAL_REASON = 'R' Then GEN_LAMPS = 'Y' or 'N' or 'U' Else GEN_LAMPS = 'Y' or 'N'
SI610	SI-10-B-1-D	If submittal reason equals 'R' then large quantity accumulator of lamps must equal 'Y', 'N', or 'U'. If submittal reason equals 'B' then large quantity accumulator of lamps indicator must equal 'Y' or 'N'.	If SUBMITTAL_REASON = 'R' Then ACC_LAMPS = 'Y' or 'N' or 'U' Else ACC_LAMPS = 'Y' or 'N'
SI620	SI-10-B-2	If submittal reason equals 'R' then destination facility for universal waste indicator must equal 'Y', 'N', or 'U'. If submittal reason equals 'B' then destination facility for universal waste indicator must equal 'Y' or 'N'.	If SUBMITTAL_REASON = 'R' Then UNIVERSAL_WASTE_DEST_FACILITY = 'Y' or 'N' or 'U' Else UNIVERSAL_WASTE_DEST_FACILITY = 'Y' or 'N'
SI630	SI-10-C-1-A	If submittal reason equals 'R' then used oil transporter indicator must equal 'Y', 'N', or 'U'. If submittal reason equals 'B' then used oil transporter indicator must equal 'Y' or 'N'. Used oil transporter indicator must equal 'Y', 'N', or 'U'.	If SUBMITTAL_REASON = 'R' Then USED_OIL_TRANSPORTER = 'Y' or 'N' or 'U' Else USED_OIL_TRANSPORTER = 'Y' or 'N'
SI640	SI-10-C-1-B	If submittal reason equals 'R' then used oil transfer facility indicator must equal 'Y', 'N', or 'U'. If submittal reason equals 'B' then used oil transfer facility indicator must equal 'Y' or 'N'.	If SUBMITTAL_REASON = 'R' Then USED_OIL_TRANSFER_FACILITY = 'Y' or 'N' or 'U' Else USED_OIL_TRANSFER_FACILITY = 'Y' or 'N'
SI650	SI-10-C-2-A	If submittal reason equals 'R' then used oil processor indicator must equal 'Y', 'N', or 'U'. If submittal reason equals 'B' then used oil processor indicator must equal 'Y' or 'N'.	If SUBMITTAL_REASON = 'R' Then USED_OIL_PROCESSOR = 'Y' or 'N' or 'U' Else USED_OIL_PROCESSOR = 'Y' or 'N'
SI660	SI-10-C-2-B	If submittal reason equals 'R' then used oil re-refiner indicator must equal 'Y', 'N', or 'U'. If submittal reason equals 'B' then used oil re-refiner indicator must equal 'Y' or 'N'.	If SUBMITTAL_REASON = 'R' Then USED_OIL_REFINER = 'Y' or 'N' or 'U' Else USED_OIL_REFINER = 'Y' or 'N'
SI670	SI-10-C-3	If submittal reason equals 'R' then off-specification used oil burner indicator must equal 'Y', 'N', or 'U'. If submittal reason equals 'B' then off-specification used oil burner indicator must equal 'Y' or 'N'.	If SUBMITTAL_REASON = 'R' Then USED_OIL_BURNER = 'Y' or 'N' or 'U' Else USED_OIL_BURNER = 'Y' or 'N'

Edit Number	Form Location	Edit Description	Select Logic*
SI680	SI-10-C-4-A	If submittal reason equals 'R' then used oil fuel marketer who directs shipment of off-specification used oil to off-specification used oil burner indicator must equal 'Y', 'N', or 'U'. If submittal reason equals 'B' then used oil fuel marketer who directs shipment of off-specification used oil to off-specification used oil burner indicator must equal 'Y' or 'N'.	If SUBMITTAL_REASON = 'R' Then USED_OIL_MARKET_BURNER = 'Y' or 'N' or 'U' Else USED_OIL_MARKET_BURNER = 'Y' or 'N'
SI690	SI-10-C-4-B	If submittal reason equals 'R' then used oil fuel marketer who first claims the used oil meets the specification indicator must equal 'Y', 'N', or 'U'. If submittal reason equals 'B' then used oil fuel marketer who first claims the used oil meets the specification indicator must equal 'Y' or 'N'.	If SUBMITTAL_REASON = 'R' Then USED_OIL_SPEC_MARKETER = 'Y' or 'N' or 'U' Else USED_OIL_SPEC_MARKETER = 'Y' or 'N'
SI700	SI-2	SI3 record is present, but corresponding record does not exist in the SI1 file.	HANDLER_ID in SI1 file
SI720	SI-10-B-1-E	Other universal waste activities must be an implementer defined value other than 'B', 'P', 'T' or 'L'.	UNIVERSAL_WASTE = implementer defined value.
SI730	SI-10-B-1-E	If submittal reason equals 'R' then generated other universal waste activities indicator must equal 'Y', 'N', or 'U'. If submittal reason equals 'B' then generated other universal waste activities indicator must equal 'Y' or 'N'.	If SUBMITTAL_REASON = 'R' Then GENERATED = 'Y' or 'N' or 'U' Else GENERATED = 'Y' or 'N'
SI740	SI-10-B-1-E	If submittal reason equals 'R' then accumulated other universal waste activities indicator must equal 'Y', 'N', or 'U'. If submittal reason equals 'B' then accumulated other universal waste activities indicator must equal 'Y' or 'N'.	If SUBMITTAL_REASON = 'R' Then ACCUMULATED = 'Y' or 'N' or 'U' Else ACCUMULATED = 'Y' or 'N'
SI750	SI-10-B-1-E	Other universal waste activities must indicate whether the activity was generated or accumulated.	If GENERATED = 'N' or 'U' Then ACCUMULATED = 'Y' If ACCUMULATED = 'N' or 'U' Then GENERATED = 'Y'
SI760	SI-2	SI4 record is present, but corresponding record does not exist in the SI1 file.	HANDLER_ID in SI1 file
SI780	SI-11-A	Waste code for federally regulated hazardous wastes must be a federal waste code value specified in the <i>2001 Hazardous Waste Report Instructions and Forms</i> .	EPA_WASTE_CODE = value specified in the <i>2001 Hazardous Waste Report Instructions and Forms</i>
SI790	SI-2	SI5 record is present, but corresponding record does not exist in the SI1 file.	HANDLER_ID in SI1 file

Edit Number	Form Location	Edit Description	Select Logic*
SI810	SI-11-B	Waste code must be registered with the RCRAInfo database.	STATE_WASTE_CODE = implementer defined value
SI820		SI8 record is present, but corresponding record does not exist in the SI1 file.	HANDLER_ID in SI1 file
SI830		State activity type must be registered with the RCRAInfo database.	STATE_ACTIVITY_TYPE = implementer defined value
SI840		SI9 record is present, but corresponding record does not exist in the SI1 file.	HANDLER_ID in SI1 file
SI850		Owner / operator state must be a value specified in Appendix H or blank.	OWNER_OPERATOR_STATE = value specified in Appendix H or ''
SI870		Owner / operator zip code must contain only the characters 0, 1, 2, 3, 4, 5, 6, 7, 8, 9 or blank.	OWNER_OPERATOR_ZIP characters = '0', '1', '2', '3', '4', '5', '6', '7', '8', '9', ''
SI890		Owner / operator country must be an ISO 3166 value (see http://www.din.de/gremien/nas/nabd/iso3166ma/index.html for valid values). If the owner country is blank, a value of UNITED STATES will be assumed.	OWNER_OPERATOR_COUNTRY = ISO 3166 country name
SI910		Owner / operator indicator must equal 'CO' or 'CP'.	OWNER_OPERATOR_INDICATOR = 'CO' or 'CP'
SI920		If submittal reason = 'B' then at least one SI9 record with owner / operator indicator = 'CO' and at least one SI9 record with owner / operator indicator = 'CP' must be provided.	If SUBMITTAL_REASON = 'B' Then there must be at least one record in SI9 where OWNER_OPERATOR_INDICATOR = 'CO' and there must be a least one record in SI9 where OWNER_OPERATOR_INDICATOR = 'CP'

C.4 Form GM Edits

Edit Number	Form Location	Edit Description	Select Logic*
GM000	GM	GM1 records is present, but corresponding record does not exist in the SII file.	HANDLER_ID in SII file
GM010	GM	Page number must be greater than zero.	HZ_PG > 0
GM020	GM-1-H	Generated quantity unit of measure must equal '1', '2', '3', '4', '5', '6' or '7'.	UNIT_OF_MEASURE = '1' or '2' or '3' or '4' or '5' or '6' or '7'
GM030	GM-1-H	Density must be greater than zero and density unit of measure must be 1 or 2 if the generated quantity unit of measure is '5', '6' or '7'.	If UNIT_OF_MEASURE = '5', '6', or '7' Then WST_DENSITY > 0 AND DENSITY_UNIT_OF_MEASURE = 1 or 2
GM040	GM-1-H	Waste density must be greater than or equal to 0.01 and less than or equal to 999.99, or equal to 0.	WST_DENSITY >= 0.01 and <= 999.99 or WST_DENSITY = 0
GM050	GM-1-G	Quantity generated in the reporting year must be greater than or equal to 0.000001 and less than or equal to 99,999,999,999.999999, or equal to zero.	GEN_QTY >= 0.000001 and <= 99999999999.999999 or GEN_QTY = 0
GM060	GM	GM2 record is present, but corresponding record does not exist in the GM1 file.	HANDLER_ID and HZ_PG in GM1 file
GM090	GM-1-B	EPA hazardous waste code must be an EPA waste code value specified in the <i>2001 Hazardous Waste Report Instructions and Forms</i> .	EPA_WASTE_CODE = value specified in the <i>2001 Hazardous Waste Report Instructions and Forms</i>
GM100	GM-1-B	EPA or State hazardous waste data must be provided.	HANDLER_ID and HZ_PG in GM1 file and in GM2 or GM3 file
GM110	GM	GM4 record is present, but corresponding record does not exist in the GM1 file.	HANDLER_ID and HZ_PG in GM1 file
GM120	GM - Assigned by respondent	Off-site code sequence number must be greater than zero.	IO_PG_NUM_SEQ > 0
GM140	GM-3-B	The off-site shipment handler EPA ID number must conform to Appendix E.	IO_TDR_ID = valid ID (see Appendix E)

Edit Number	Form Location	Edit Description	Select Logic*
GM150	GM-3-D	Total quantity shipped off-site in the reporting year must be greater than or equal to 0.000001 and less than or equal to 99,999,999,999.999999.	IO_TDR_QTY >= 0.000001 and <= 99999999999.999999
GM160	GM-3-C	The off-site management method must be a management method specified in the <i>2001 Hazardous Waste Report Instructions and Forms</i> or blank.	MANAGEMENT_METHOD = management method specified in the <i>2001 Hazardous Waste Report Instructions and Forms</i> or blank.
GM170	GM	GM5 record is present, but corresponding record does not exist in the GM1 file.	HANDLER_ID and HZ_PG in GM1 file
GM180	GM - Assigned by respondent	On-site sequence number must be greater than zero.	SYS_PG_NUM_SEQ > 0
GM190	GM-2	Total quantity treated, disposed, or recycled on-site in the reporting year must be greater than or equal to 0.000001 and less than or equal to 99,999,999,999.999999.	SYS_TDR_QTY >= 0.000001 and <= 99999999999.999999
GM210	GM-2	The on-site management method must contain a management method specified in the <i>2001 Hazardous Waste Report Instructions and Forms</i> .	MANAGEMENT_METHOD = value specified in the <i>2001 Hazardous Waste Report Instructions and Forms</i>
GM220	GM-1-E	The form code must be a form code value specified in the <i>2001 Hazardous Waste Report Instructions and Forms</i> or blank.	FORM_CODE = value specified in the <i>2001 Hazardous Waste Report Instructions and Forms</i> or ''
GM230	GM-1-D	If source code equals G25 then the management method code must be a management method specified in the <i>2001 Hazardous Waste Report Instructions and Forms</i> . If source code is not equal to G25 then the management method code must be a management method specified in the <i>2001 Hazardous Waste Report Instructions and Forms</i> or blank.	If SOURCE_TYPE = 'G25' Then ORIGIN_MANAGEMENT_METHOD = value specified in the <i>2001 Hazardous Waste Report Instructions and Forms</i> Else ORIGIN_MANAGEMENT_METHOD = value specified in the <i>2001 Hazardous Waste Report Instructions and Forms</i> or blank
GM260	GM-1-F	RCRA-radioactive mixed indicator must equal 'Y' or 'N'.	RADIOACTIVE_MIX = 'Y' or 'N'
GM270	GM-1-D	The source code must be a source code value specified in the <i>2001 Hazardous Waste Report Instructions and Forms</i> .	SOURCE_CODE = value specified in the <i>2001 Hazardous Waste Report Instructions and Forms</i>

Edit Number	Form Location	Edit Description	Select Logic*
GM280	GM	GM3 record is present, but corresponding record does not exist in the GM1 file.	HANDLER_ID and HZ_PG in GM1 file
GM300	GM-1-C	Waste code must be registered with the RCRAInfo database.	WASTE_CODE = implementer defined state waste code
GM310		If Include in National Report in the SI1 file equals 'N' then Include in National Report must be a 'N'. If Include in National Report in the SI1 file equals 'Y' then Include in National Report must be a 'Y' or 'N'.	If INCLUDE_IN_NATIONAL_REPORT = 'N' in the SI1 file Then INCLUDE_IN_NATIONAL_REPORT = 'N' Else INCLUDE_IN_NATIONAL_REPORT = 'Y' or 'N'

C.5 Form WR Edits

Edit Number	Form Location	Edit Description	Select Logic*
WR000	WR	WR1 records is present, but corresponding record does not exist in the SI1 file.	HANDLER_ID in SI1 file
WR010	WR	Page number must be greater than zero.	HZ_PG > 0
WR020	WR	Sub-page number must equal '1', '2' or '3'.	SUB_PG_NUM = '1' or '2' or '3'
WR030	WR-F	Generated quantity unit of measure must equal '1', '2', '3', '4', '5', '6' or '7'.	UNIT_OF_MEASURE = '1' or '2' or '3' or '4' or '5' or '6' or '7'
WR040	WR-F	Density must be greater than zero and density unit of measure must be 1 or 2 if the generated quantity unit of measure is '5', '6' or '7'.	If UNIT_OF_MEASURE = '5', '6', or '7' Then WST_DENSITY > 0 AND DENSITY_UNIT_OF_MEASURE = 1 or 2
WR050	WR-F	Waste density must be greater than or equal to 0.01 and less than or equal to 999.99, or equal to 0.	WST_DENSITY >= 0.01 and <= 999.99 or WST_DENSITY = 0
WR060	WR-I	Management method code must be a management method specified in the <i>2001 Hazardous Waste Report Instructions and Forms</i> .	MANAGEMENT_METHOD = value specified in the <i>2001 Hazardous Waste Report Instructions and Forms</i>
WR070	WR-D	The first two characters of the off-site handler EPA ID number must be a valid postal code (see Appendix H) or 'FC' (foreign country).	SUBSTR(IO_TDR_ID,1,2) = valid postal code (see Appendix H) or 'FC'
WR080	WR-E	Total quantity received in the reporting year must be greater than or equal to 0.000001 and less than or equal to 99,999,999,999.999999.	IO_TDR_QTY >= 0.000001 and <= 99999999999.999999
WR090	WR	WR2 record is present, but corresponding record does not exist in the WR1 file.	HANDLER_ID, HZ_PG and SUB_PG_NUM in WR1 file
WR110	WR-B	EPA hazardous waste code must be an EPA waste code specified in the <i>2001 Hazardous Waste Report Instructions and Forms</i> .	EPA_WASTE_CODE = value specified in the <i>2001 Hazardous Waste Report Instructions and Forms</i>
WR130	WR-B	EPA or State hazardous waste data must be provided.	HANDLER_ID, HZ_PG and SUB_PG_NUM in WR1 file and in WR2 or WR3 file

Edit Number	Form Location	Edit Description	Select Logic*
WR180	WR-G	The form code must be a form code specified in the <i>2001 Hazardous Waste Report Instructions and Forms</i> or blank.	FORM_CODE = value specified in the <i>2001 Hazardous Waste Report Instructions and Forms</i> or ''
WR190	WR-H	RCRA-radioactive mixed indicator must equal 'Y' or 'N'.	RADIOACTIVE_MIX = 'Y' or 'N'
WR200	WR	WR3 record is present, but corresponding record does not exist in the WR1 file.	HANDLER_ID, HZ_PG and SUB_PG_NUM in WR1 file
WR220	WR-B	Waste code must be registered with the RCRAInfo database.	WASTE_CODE = implementer defined value
WR230		If Include in National Report in the SI1 file equals 'N' then Include in National Report must be a 'N'. If Include in National Report in the SI1 file equals 'Y' then Include in National Report must be a 'Y' or 'N'.	If INCLUDE_IN_NATIONAL_REPORT = 'N' in the SI1 file Then INCLUDE_IN_NATIONAL_REPORT = 'N' Else INCLUDE_IN_NATIONAL_REPORT = 'Y' or 'N'

APPENDIX D

Hazardous Waste Report Annotated Forms

<p>MAIL THE COMPLETED FORM TO: The Appropriate EPA Regional or State Office.</p>	<p>United States Environmental Protection Agency RCRA SUBTITLE C SITE IDENTIFICATION FORM</p>		
<p>1. Reason for Submittal and Status of Information Supplied (see instructions on pages 10 and 11)</p> <p>CHECK CORRECT BOX(ES)</p>	<p>A. Reason for Submittal:</p> <p>" To provide initial notification (to obtain an EPA ID Number for hazardous waste, universal waste, or used oil activities).</p> <p>" To provide subsequent notification (to update site identification information). SI1-2</p> <p>" As a component of a First RCRA Hazardous Waste Part A Permit Application.</p> <p>" As a component of a Revised RCRA Hazardous Waste Part A Permit Application (Amendment #_____).</p> <p>" As a component of the Hazardous Waste Report.</p>		
<p>2. Site EPA ID Number (see instructions on page 11)</p>	<p>EPA ID Number: SI1-1</p>		
<p>3. Site Name (see instructions on page 11)</p>	<p>Legal Name: SI1-3</p>		
<p>4. Site Location Information (see instructions on page 11)</p>	<p>Street Address: SI1-4, SI1-5, SI-6</p> <p>City, Town, or Village: SI1-7 State: SI1-9</p> <p>County Name: SI1-8 Zip Code: SI1-10</p>		
<p>5. Site Land Type (see instructions on page 11)</p>	<p>Site Land Type: " Private " County " District " Federal " Indian " Municipal " State " Other SI1-18</p>		
<p>6. North American Industry Classification System (NAICS) Code(s) for the Site (see instructions on page 11)</p>	<p>A. SI6-3</p>	<p>B.</p>	
	<p>C.</p>	<p>D.</p>	
<p>7. Site Mailing Address (see instructions on page 12)</p>	<p>Street or P. O. Box: SI1-11, SI1-12, SI1-13</p> <p>City, Town, or Village: SI1-14</p> <p>State: SI1-15</p> <p>Country: SI1-16 Zip Code: SI1-17</p>		
<p>8. Site Contact Person (see instructions on page 12)</p>	<p>First Name: SI1-19</p>	<p>MI: SI1-20</p>	<p>Last Name: SI1-21</p>
	<p>Phone Number: SI1-22</p>		<p>Phone Number Extension: SI1-23</p>
<p>9. Legal Owner and Operator of the Site (see instructions on pages 12 and 13)</p>	<p>A. Name of Site's Legal Owner: SI9-4</p>		<p>Date Became Owner (mm/dd/yyyy): SI9-5</p>
	<p>Owner Type: " Private " County " District " Federal " Indian " Municipal " State " Other SI9-6</p>		
<p>B. Name of Site's Operator: SI9-4</p>	<p>Date Became Operator (mm/dd/yyyy): SI9-5</p>		
	<p>Operator Type: " Private " County " District " Federal " Indian " Municipal " State " Other SI9-6</p>		

10. Type of Regulated Waste Activity (Mark 'X' in the appropriate boxes. See instructions on pages 13, 14, 15, and 16)

A. Hazardous Waste Activities

1. Generator of Hazardous Waste SI1-25

(choose only one of the following three categories)

- " a. LQG: Greater than 1,000 kg/mo (2,200 lbs.) of non-acute hazardous waste; or
- " b. SQG: 100 to 1,000 kg/mo (220 - 2,200 lbs.) of non-acute hazardous waste; or
- " c. CESQG: Less than 100 kg/mo of non-acute hazardous waste

In addition, indicate other generator activities (check all that apply)

- " d. United States Importer of Hazardous Waste SI1-26
- " e. Mixed Waste (hazardous and radioactive) Generator SI1-27

For Items 2 through 6, check all that apply:

- " **2. Transporter of Hazardous Waste SI1-28**
- " **3. Treater, Storer, or Disposer of Hazardous Waste (at your site)**
Note: A hazardous waste permit is required for this activity. SI1-29
- " **4. Recycler of Hazardous Waste (at your site)** Note: A hazardous waste permit may be required for this activity. SI1-30
- 5. Exempt Boiler and/or Industrial Furnace**
 - " a. Small Quantity On-site Burner Exemption SI1-31
 - " b. Smelting, Melting, Refining Furnace Exemption SI1-32
- " **6. Underground Injection Control SI1-33**

B. Universal Waste Activities

1. Large Quantity Handler of Universal Waste [refer to your State regulations to determine what is regulated]. Indicate types of universal waste generated and/or accumulated at your site. (check all boxes that apply):

	<u>Generated</u>	<u>Accumulat ed</u>
a. Batteries	" SI2-2	" SI2-3
b. Pesticides	" SI2-4	" SI2-5
c. Thermostats	" SI2-6	" SI2-7
d. Lamps	" SI2-8	" SI2-9
e. Other (specify) SI3-2	" SI3-3	" SI3-4
f. Other (specify) _____	"	"
g. Other (specify) _____	"	"

" **2. Destination Facility for Universal Waste SI2-10**
Note: A hazardous waste permit may be required for this activity.

C. Used Oil Activities

- 1. Used Oil Transporter - Indicate Type(s) of Activity(ies)**
 - " a. Transporter SI2-11
 - " b. Transfer Facility SI2-12
- 2. Used Oil Processor and/or Re-refiner - Indicate Type(s) of Activity(ies)**
 - " a. Processor SI2-13
 - " b. Re-refiner SI2-14
- " **3. Off-Specification Used Oil Burner SI2-15**
- 4. Used Oil Fuel Marketer - Indicate Type(s) of Activity(ies)**
 - " a. Marketer Who Directs Shipment of Off-Specification Used Oil to Off-Specification Used Oil Burner SI2-16
 - " b. Marketer Who First Claims the Used Oil Meets the Specifications SI2-17

11. Description of Hazardous Wastes (see instructions on page 16)

A. Waste Codes for Federally Regulated Hazardous Wastes. Please list the waste codes of the Federal hazardous wastes handled at your site. List them in the order they are presented in the regulations (e.g., D001, D003, F007, U112). Use an additional page if more spaces are needed.

SI4-2						

BEFORE COPYING FORM, ATTACH SITE IDENTIFICATION LABEL OR ENTER:

SITE NAME:

EPA ID NO: .) 2) 2) - .) 2) 2) - .) 2) 2) - .) 2) 2) -
GM(x)-1



U.S. ENVIRONMENTAL PROTECTION AGENCY

2001 Hazardous Waste Report

FORM GM

WASTE GENERATION AND MANAGEMENT

Instructions: Please see the detailed instructions beginning on page 19 of the instructions and forms booklet before completing this form. In addition, the page number for instructions specific to each box is provided in parentheses.

Sec. 1	A. Waste description (page 22) GM1-12				
B. EPA hazardous waste code (page 22) .) 2) 2) 2) - .) 2) 2) 2) - GM2-3			C. State hazardous waste code (page 22) .) 2) 2) 2) 2) 2) - .) 2) 2) 2) 2) 2) - GM3-3		
D. Source code (page 23) G) 2) 2) - GM1-9 Management Method code for Source code G25 H) 2) 2) 2) - GM1-7		E. Form code (page 23) W) 2) 2) 2) - GM1-3	F. RCRA radioactive mixed (page 23) 9 Yes GM1-8	G. Quantity generated in 2001 (page 23) .) 2) 2) 2) 2) 2) 2) 2) 2) 2) - .) - GM1-10	H. UOM (page 23)) - GM1-4 Density 9 lbs/gal 9 sg GM1-5 GM1-6

Sec. 2 Was any of this waste managed on site? (page 24)
 9 1 Yes (CONTINUE TO ON-SITE PROCESS SYSTEM 1)
 9 2 No (SKIP TO SEC. 3)

ON-SITE PROCESS SYSTEM 1 GM5-3		ON-SITE PROCESS SYSTEM 2	
On-site Management Method code (page 24) H) 2) 2) 2) - GM5-4	Quantity treated, disposed, or recycled on site in 2001 (page 25) .) 2) 2) 2) 2) 2) 2) 2) 2) - .) - GM5-5	On-site Management Method code (page 24) H) 2) 2) 2) -	Quantity treated, disposed, or recycled on site in 2001 (page 25) .) 2) 2) 2) 2) 2) 2) 2) 2) - .) -

Sec. 3	A. Was any of this waste shipped off site in 2001 for treatment, disposal, or recycling? (pages 25 and 26) 9 1 Yes (CONTINUE TO BOX B) 9 2 No (FORM IS COMPLETE)		
Site 1 GM4-3	B. EPA ID No. of facility to which waste was shipped (page 26) .) 2) 2) - .) 2) 2) - .) 2) 2) - .) 2) 2) - GM4-5	C. Off-site Management Method code Shipped to (page 26) H) 2) 2) 2) - GM4-4	D. Total quantity shipped in 2001 (page 26) .) 2) 2) 2) 2) 2) 2) 2) 2) - .) - GM4-6
Site 2	B. EPA ID No. of facility to which waste was shipped (page 26) .) 2) 2) - .) 2) 2) - .) 2) 2) - .) 2) 2) -	C. Off-site Management Method code Shipped to (page 26) H) 2) 2) 2) -	D. Total quantity shipped in 2001 (page 26) .) 2) 2) 2) 2) 2) 2) 2) 2) - .) -
Site 3	B. EPA ID No. of facility to which waste was shipped (page 26) .) 2) 2) - .) 2) 2) - .) 2) 2) - .) 2) 2) -	C. Off-site Management Method code Shipped to (page 26) H) 2) 2) 2) -	D. Total quantity shipped in 2001 (page 26) .) 2) 2) 2) 2) 2) 2) 2) 2) - .) -

Comments:
GM1-13

BEFORE COPYING FORM, ATTACH SITE IDENTIFICATION LABEL OR ENTER:

SITE NAME: _____

EPA ID NO: .) 2) 2) - .) 2) 2) - .) 2) 2) - .) 2) 2) -

WR(x)-1



U.S. ENVIRONMENTAL PROTECTION AGENCY

2001 Hazardous Waste Report

FORM WR

WASTE RECEIVED FROM OFF SITE

Instructions: Please see the detailed instructions beginning on page 27 of the instructions and forms booklet before completing this form. In addition, the page number for instructions specific to each box is provided in parentheses.

Waste 1	A. Description of hazardous waste (page 27) WR1-13	B. EPA hazardous waste code (page 28) .) 2) 2) 2) - .) 2) 2) 2) - .) 2) 2) 2) - .) 2) 2) 2) - WR2-4	C. State hazardous waste code (page 28) .) 2) 2) 2) 2) 2) - .) 2) 2) 2) 2) 2) - WR3-4
D. Off-site handler EPA ID number (page 28) .) 2) 2) - .) 2) 2) - .) 2) 2) - .) 2) 2) - WR1-10	E. Quantity received in 2001 (page 28) .) 2) 2) 2) 2) 2) 2) 2) 2) 2) - .) - WR1-11	F. UOM (page 28) Density WR1-6 WR1-5 .) - .) 2) - .) 2) - WR1-7 9 1 lbs/gal 9 2 sg	
G. Form code (page 29) WR1-4 . W 2) 2) 2) -	H. RCRA radioactive mixed (page 29) WR1-8 9 Yes	I. Management Method code (page 29) WR1-9 . H 2) 2) 2) -	

Waste 2	A. Description of hazardous waste (page 27)	B. EPA hazardous waste code (page 28) .) 2) 2) 2) - .) 2) 2) 2) - .) 2) 2) 2) - .) 2) 2) 2) -	C. State hazardous waste code (page 28) .) 2) 2) 2) 2) 2) - .) 2) 2) 2) 2) 2) -
D. Off-site handler EPA ID number (page 28) 9 Check if same as in Waste 1 .) 2) 2) - .) 2) 2) - .) 2) 2) - .) 2) 2) -	E. Quantity received in 2001 (page 28) .) 2) 2) 2) 2) 2) 2) 2) 2) 2) - .) -	F. UOM (page 28) Density .) - .) 2) - .) 2) - 9 1 lbs/gal 9 2 sg	
G. Form code (page 29) . W 2) 2) 2) -	H. RCRA radioactive mixed (page 29) 9 Yes	I. Management Method code (page 29) . H 2) 2) 2) -	

Waste 3	A. Description of hazardous waste (page 27)	B. EPA hazardous waste code (page 28) .) 2) 2) 2) - .) 2) 2) 2) - .) 2) 2) 2) - .) 2) 2) 2) -	C. State hazardous waste code (page 28) .) 2) 2) 2) 2) 2) - .) 2) 2) 2) 2) 2) -
D. Off-site handler EPA ID number (page 28) 9 Check if same as in Waste 2 .) 2) 2) - .) 2) 2) - .) 2) 2) - .) 2) 2) -	E. Quantity received in 2001 (page 28) .) 2) 2) 2) 2) 2) 2) 2) 2) 2) - .) -	F. UOM (page 28) Density .) - .) 2) - .) 2) - 9 1 lbs/gal 9 2 sg	
G. Form code (page 29) . W 2) 2) 2) -	H. RCRA radioactive mixed (page 29) 9 Yes	I. Management Method code (page 29) . H 2) 2) 2) -	

Comments: **WR1-14**

BEFORE COPYING FORM, ATTACH SITE IDENTIFICATION LABEL OR ENTER:

SITE NAME: _____

EPA ID NO: .) 2) 2) - .) 2) 2) - .) 2) 2) - .) 2) 2) -

OI(x)-1



U.S. ENVIRONMENTAL PROTECTION AGENCY

2001 Hazardous Waste Report

FORM OI

OFF-SITE IDENTIFICATION

Instructions: Please read the detailed instructions on the reverse side before completing this form.

Site 1	A. EPA ID No. of off-site installation or transporter .) 2) 2) - .) 2) 2) - .) 2) 2) - .) 2) 2) - OI1-3	B. Name of off-site installation or transporter OI1-7
	C. Handler type (CHECK ALL THAT APPLY) 9 Generator OI1-4 9 Transporter OI1-5 9 TSDR facility OI1-6	D. Address of off-site installation Street <u> OI1-8, OI1-9 </u> City <u> OI1-10 </u> State <u> OI1-11 </u> .) 2) - Zip <u> OI1-12 </u> .) 2) 2) 2) - .) 2) 2) 2) -

Site 2	A. EPA ID No. of off-site installation or transporter .) 2) 2) - .) 2) 2) - .) 2) 2) - .) 2) 2) -	B. Name of off-site installation or transporter
	C. Handler type (CHECK ALL THAT APPLY) 9 Generator 9 Transporter 9 TSDR facility	D. Address of off-site installation Street _____ City _____ State .) 2) - Zip .) 2) 2) 2) 2) - .) 2) 2) 2) 2) -

Site 3	A. EPA ID No. of off-site installation or transporter .) 2) 2) - .) 2) 2) - .) 2) 2) - .) 2) 2) -	B. Name of off-site installation or transporter
	C. Handler type (CHECK ALL THAT APPLY) 9 Generator 9 Transporter 9 TSDR facility	D. Address of off-site installation Street _____ City _____ State .) 2) - Zip .) 2) 2) 2) 2) - .) 2) 2) 2) 2) -

Site 4	A. EPA ID No. of off-site installation or transporter .) 2) 2) - .) 2) 2) - .) 2) 2) - .) 2) 2) -	B. Name of off-site installation or transporter
	C. Handler type (CHECK ALL THAT APPLY) 9 Generator 9 Transporter 9 TSDR facility	D. Address of off-site installation Street _____ City _____ State .) 2) - Zip .) 2) 2) 2) 2) - .) 2) 2) 2) 2) -

Site 5	A. EPA ID No. of off-site installation or transporter .) 2) 2) - .) 2) 2) - .) 2) 2) - .) 2) 2) -	B. Name of off-site installation or transporter
	C. Handler type (CHECK ALL THAT APPLY) 9 Generator 9 Transporter 9 TSDR facility	D. Address of off-site installation Street _____ City _____ State .) 2) - Zip .) 2) 2) 2) 2) - .) 2) 2) 2) 2) -

Comments: **OI1-13**

APPENDIX E

EPA Check Digit Routine

APPENDIX E - EPA ID Check Digit Routine

E.1 Characteristics of an EPA ID

All EPA ID's must meet the following requirements:

- < Only characters A-Z, 0-9 and blank are allowed
- < The first two characters must be a valid state code (see Appendix H)
- < The EPA ID must be at least three (3) characters in length (not including blanks).

At this time EPA is not requiring that EPA IDs pass check digit routines. However, implementers may choose to check their EPA IDs against the check digit routines. The below routines are the guidelines that EPA has used for EPA IDs in previous BR cycles:

- < If the third character of the EPA ID is 'D' or 'R', the EPA ID must pass the Modulus 10 check digit routine below.
- < If the third character of the EPA ID is 0-9, the EPA ID must pass the Modulus 10 check digit routine or the alternate check digit routine below.

E.2 Parts of an EPA ID

POSITIONS IN THE ID	DATA	ALLOWED VALUES
1-2	State Postal Code	Alphabetic characters only, must be valid state postal code (see Appendix H)
3	Site designation	A-Z, 0-9
4-11	ID digits	A-Z, 0-9, or blank
12	Check digit	A-Z, 0-9, or blank

E.3 Modulus 10 Check Digit Routine

The Modulus 10 check digit is calculated according to the following algorithm:

1. RCRAInfo identifies the number in the 4th through 11th positions of the ID.
Example ID: MDD001947308 4th - 11th positions: 00194730
2. The combination of digits used to create the check digit is 12121212.
3. In order to determine / verify the 12th check digit:
 - a. Multiply each digit in the check combination by its positional mate.

0	0	1	9	4	7	3	0	
X 1	X 2	X 1	X 2	X 1	X 2	X 1	X 2	
0 +	0 +	1 +	1 + 8 +	4 +	1 + 4 +	3 +	0	22

- b. Sum the products, treating each one as a separate number (i.e. 18 becomes 1 and 8). In the example, the total is 22.

- c. Subtract this total (22) from the next highest multiple of 10 (i.e. 30 in this case).

$$30 - 22 = 8$$

Check digit = 8

(Note: If the result is 10, the check digit is zero).

E.4 Alternate Check Digit Routine

The check digit for IDs containing a digit (0-9) in the third character of the EPA ID must pass EITHER the Modulus 10 check digit routine or the following alternate check digit routine:

1. The value of the number in the 12th position of the ID is added to the previously calculated sum (from Step 3 above).
2. The resulting sum is subtracted from the next higher multiple of 10.
3. The result of the subtraction is compared to the value in the 3rd position in the EPA ID. If the values match, the EPA ID passes the alternate check digit routine.

E.5 Example Check Digit Calculations

The following table presents several examples of check digit calculations for illustration.

EPA ID	PASS/FAIL	COMMENTS
MDD123456782	Pass	Check sum is 38. Subtract 38 from next higher multiple of 10 (40) and compare to 12 th position of ID. $40 - 38 = 2 = 12^{\text{th}}$ position, therefore EPA ID passes check digit.
MDD223456782	Fail	Check sum is 39. Subtract 39 from next higher multiple of 10 (40) and compare to 12 th position of ID. $40 - 39 = 1$ which is not equal to the 12 th position (2), therefore EPA ID fails check digit.
MD1123456782	Pass	Check sum is 38. Subtract 38 from next higher multiple of 10 (40) and compare to 12 th position of ID. $40 - 38 = 2 = 12^{\text{th}}$ position, therefore EPA ID passes check digit.
MD9123456783	Pass	Check sum is 38. Subtract 38 from next higher multiple of 10 (40) and compare to 12 th position of ID. $40 - 38 = 2$ which is not equal to the 12 th position (3), therefore EPA ID fails first check digit routine. Since the value in the 3 rd position is numeric, the alternate check digit routine applies. For the alternate check digit routine, the check sum is $38 + 3 = 41$. The check sum is subtracted from the next higher multiple of 10 (50) and compared to the value in the 3 rd position. In this case, the calculation is $50 - 41 = 9$ which equals the 3 rd position. Therefore, the EPA ID passes the check digit routine.

EPA ID	PASS/FAIL	COMMENTS
MD8123456783	Fail	<p>Check sum is 38. Subtract 38 from next higher multiple of 10 (40) and compare to 12th position of ID. $40-38 = 2$ which is not equal to the 12th position (3), therefore EPA ID fails first check digit routine. Since the value in the 3rd position is numeric, the alternate check digit routine applies.</p> <p>For the alternate check digit routine, the check sum is $38+3=41$. The check sum is subtracted from the next higher multiple of 10 (50) and compared to the value in the 3rd position. In this case, the calculation is $50-41=9$ which does not equal the 3rd position (8). Therefore, the EPA ID fails the check digit routine.</p>
MDCESQG	Pass	The third character is not D, R or 0-9, therefore the ID does not need to pass a check digit routine.

APPENDIX F

Example Flat Files

GM2 Flat File:

VARG2030.FIL

000000000111111111122
123456789012345678901

ABD91084873700001F005
ABD91084873700002F005
ABD91084873700003F001
ABD91084873700004F006
ABD91084873700005D002
XYW98765432100001D001
XYW98765432100001F003
XYW98765432100002F001
XYW98765432100002F002
XYW98765432100003D001
XYW98765432100003F003
XYW98765432100004F001
XYW98765432100004F002

GM4 Flat File:

VAGM4030.FIL

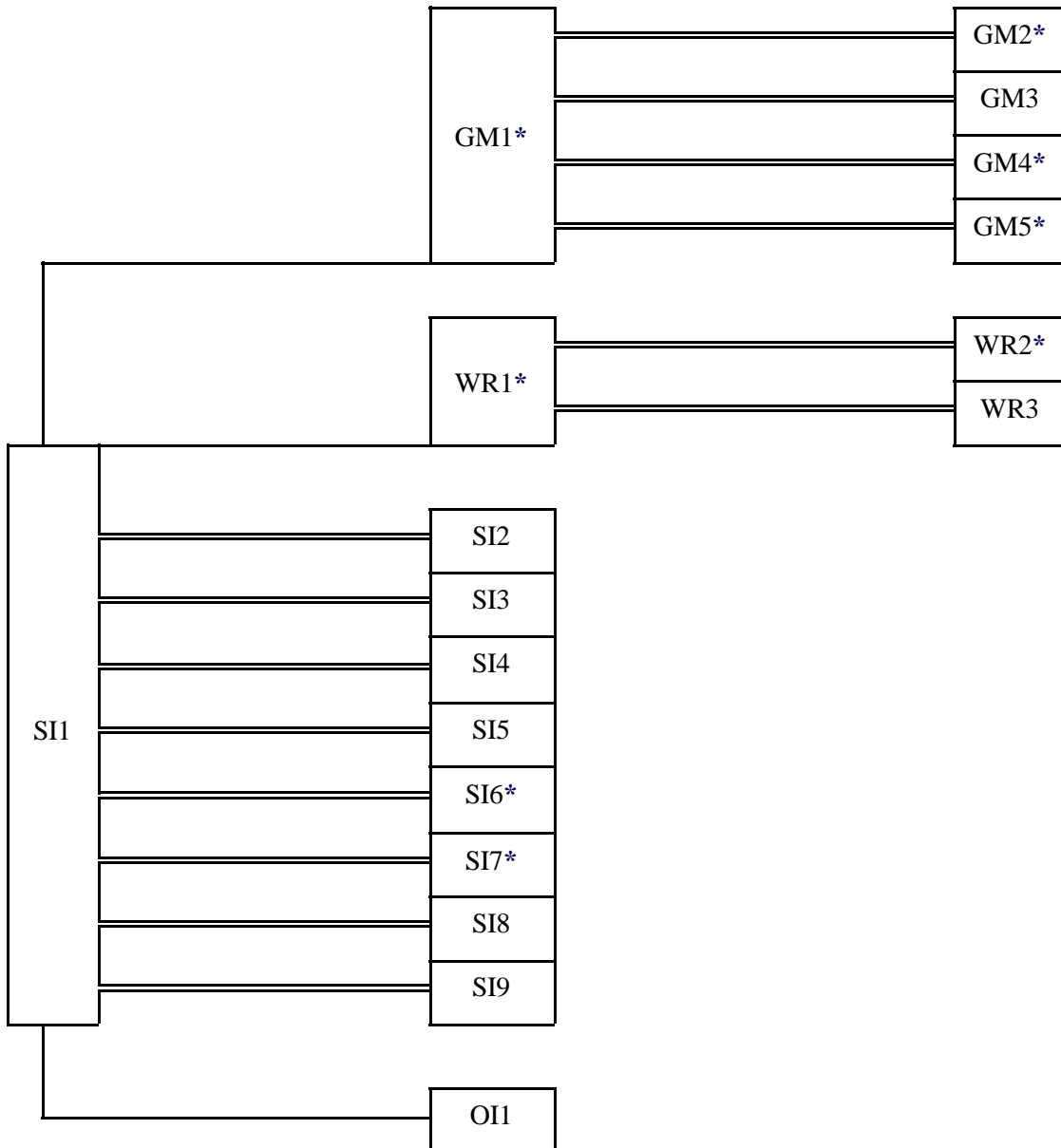
0000000001111111111222222222333333333344444444445555555
12345678901234567890123456789012345678901234567890123456

ABD9108487370000200001H050MNH87684938500000000050.000000
ABD9108487370000300001H020ABC12345678900000000250.000000
ABD9108487370000300002H141XYW98765432100000000200.000000
ABD9108487370000400001H111PJU0984750000000000250.000000
ABD9108487370000400002H111LKU94058394500000000300.000000
ABD9108487370000500001H135RSD83920463700000001500.000000
XYW9876543210000100001H050RSD83920463700000002100.000000
XYW9876543210000200001H040RSD83920463700000001700.000000
XYW9876543210000300001H050RSD83920463700000003900.000000
XYW9876543210000400001H040RSD83920463700000001900.000000

APPENDIX G

Flat File Hierarchy

FLAT FILE HIERARCHY



* These flat files contain national data elements.

NOTE: The OI1 flat file should never be included in the submission to RCRAInfo.

APPENDIX H

State Postal Codes

Appendix H

State Postal Codes

State Name	Postal Code	State Name	Postal Code	State Name	Postal Code
Alabama	AL	Kentucky	KY	Ohio	OH
Alaska	AK	Louisiana	LA	Oklahoma	OK
American Samoa	AS	Maine	ME	Oregon	OR
Arizona	AZ	Maryland	MD	Pennsylvania	PA
Arkansas	AR	Massachusetts	MA	Puerto Rico	PR
California	CA	Michigan	MI	Rhode Island	RI
Colorado	CO	Minnesota	MN	South Carolina	SC
Connecticut	CT	Mississippi	MS	South Dakota	SD
Delaware	DE	Missouri	MO	Tennessee	TN
District of Columbia	DC	Montana	MT	Texas	TX
Florida	FL	Navajo Nation	NN	Trust Territories	TT
Georgia	GA	Nebraska	NE	Utah	UT
Guam	GU	Nevada	NV	Vermont	VT
Hawaii	HI	New Hampshire	NH	Virgin Islands	VI
Idaho	ID	New Jersey	NJ	Virginia	VA
Illinois	IL	New Mexico	NM	Washington	WA
Indiana	IN	New York	NY	West Virginia	WV
Iowa	IA	North Carolina	NC	Wisconsin	WI
Kansas	KS	North Dakota	ND	Wyoming	WY

End of document.