

Ash Urn

The campus standard for ash urns, implemented in early 1997 in response to the discoloration, misalignment, and bulkiness of the old concrete standard. is of the same materials and appearance as the standard trash receptacle.

The University Administrative Guide states that 'smoking is prohibited in classrooms, all enclosed buildings and facilities, [and] in covered walkways [e.g. arcades]...'; 'Outdoor smoking areas should be located far enough away from doorways, open windows, covered walkways, and ventilation systems to prevent smoke from entering enclosed buildings and facilities' (see Guide Memo 23.4). This shall be taken into account when siting ash urns, while keeping functionality in mind. They should be located at least 20 feet away from doors.

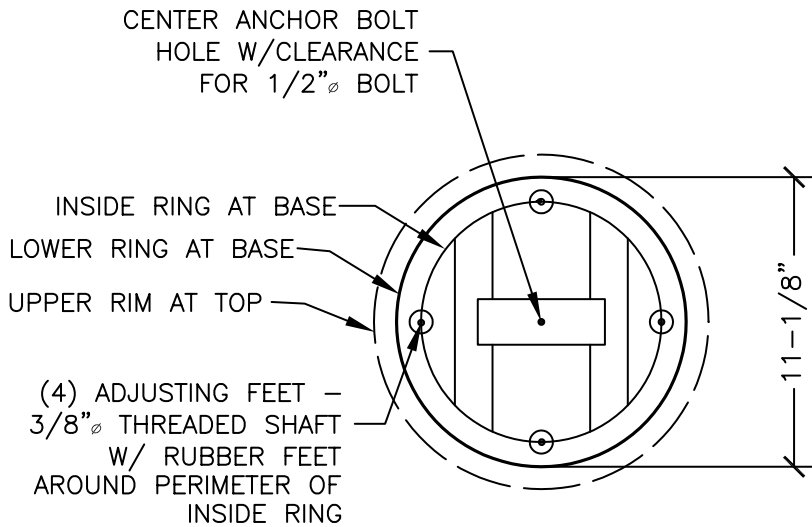
In main campus areas, notify Stanford Grounds for ash urn servicing.

Specifications:

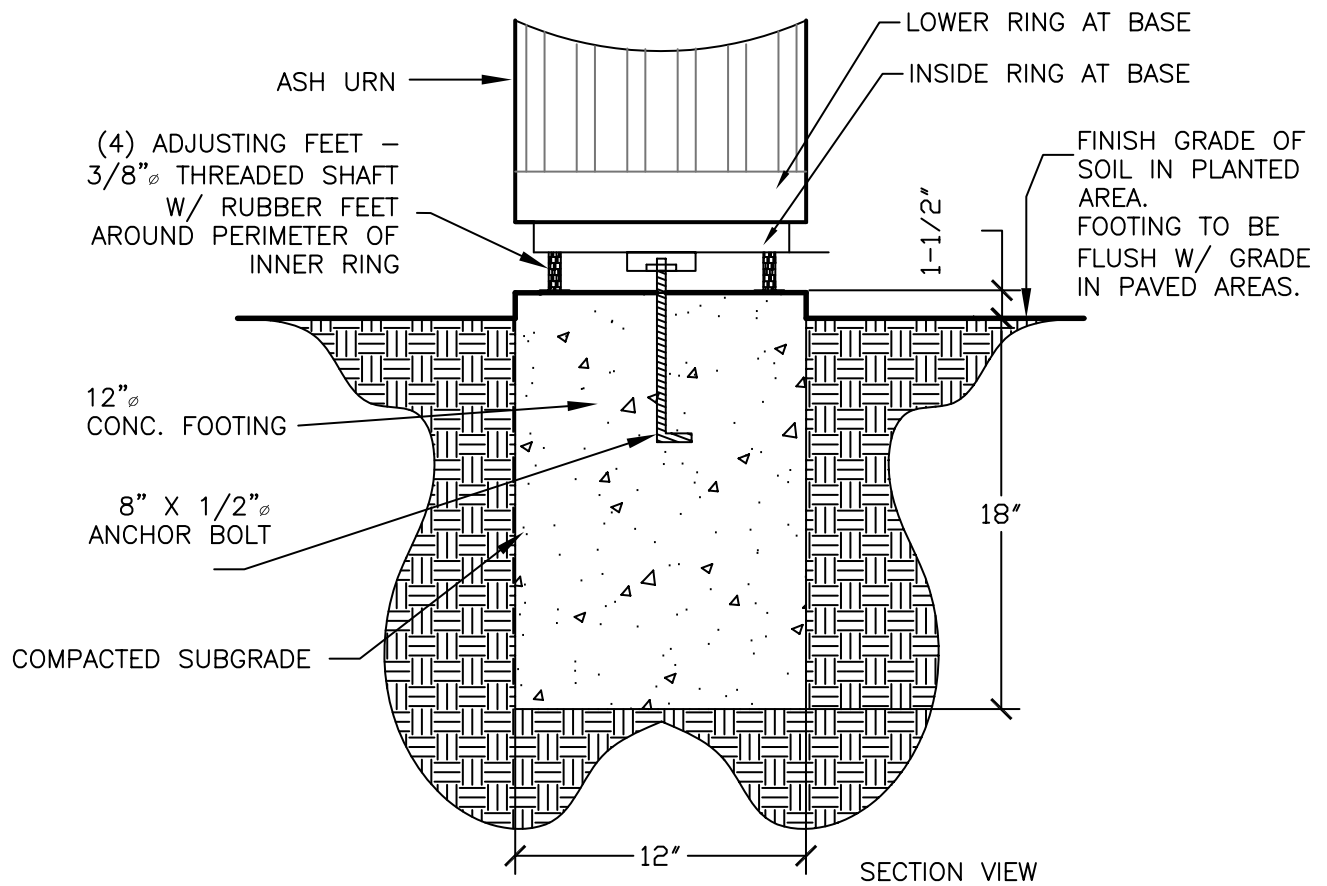
- 3/8" black powder-coated steel bars, with aluminum insert.

Model/Manufacturer: Victor Stanley model # S-20, or equal, through MJB Associates, Grass Valley, (530) 272-8005





PLAN VIEW



SECTION VIEW

C:\PLAN-SERV\CAD_PLANNING\2CAMPUSSTANDARDS\SITEFURNISHINGS\CURRENTSPECS\FOOTING_URN.DWG



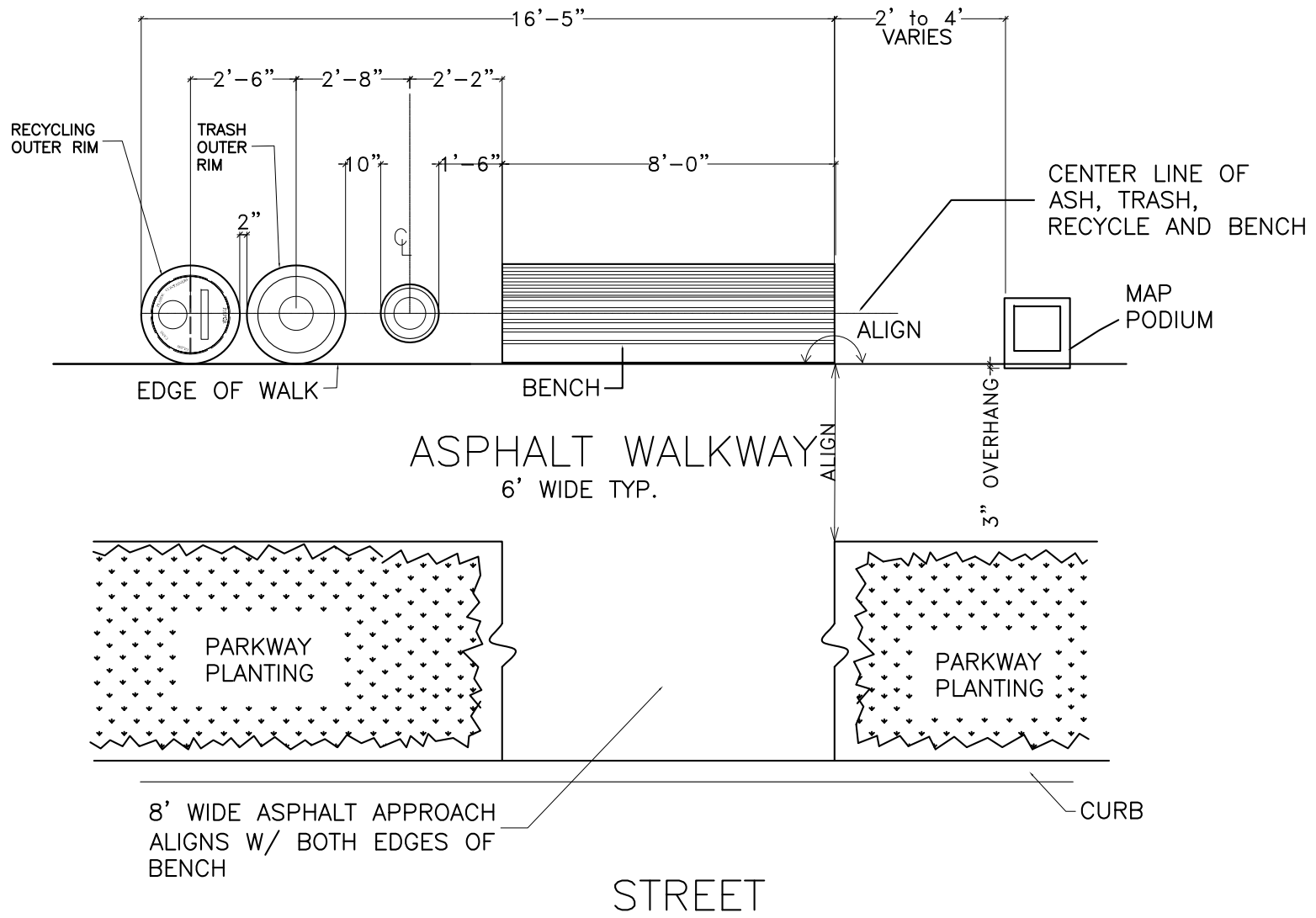
CONCRETE FOOTING AT ASH URN

Scale: not to scale

Stanford University Architect/Planning Office
Standard Campus Site Furnishings Guidelines

Updated: 8/19/2003

Superseded: 11/15/2002



These dimensions to be used as guidelines for all bench/ash/trash installations. The layout above is typical of our standard bus stop furniture.

BENCH/ASH/TRASH/RECYCLE SPACING

Stanford University Architect/Campus Planning and Design Office
Standard Campus Construction Detail Guidelines

Scale: not to scale
Updated: 08/10/08
Superseded: 05/21/04



Trash Receptacle

The campus standard for trash receptacles was implemented in early 1997 in response to the discoloration, misalignment, and bulkiness of the old concrete standard. This model has a rigid internal liner and a side opening door for ease of emptying. All cans should be attached to the ground by drilling holes to receive anchor bolt and epoxy, or when placed in a planting area, anchored into a concrete foundation. Care should be taken that they are installed level to the ground.

Stanford Grounds provides trash pick up for these cans and must be notified to begin service when new cans are installed.

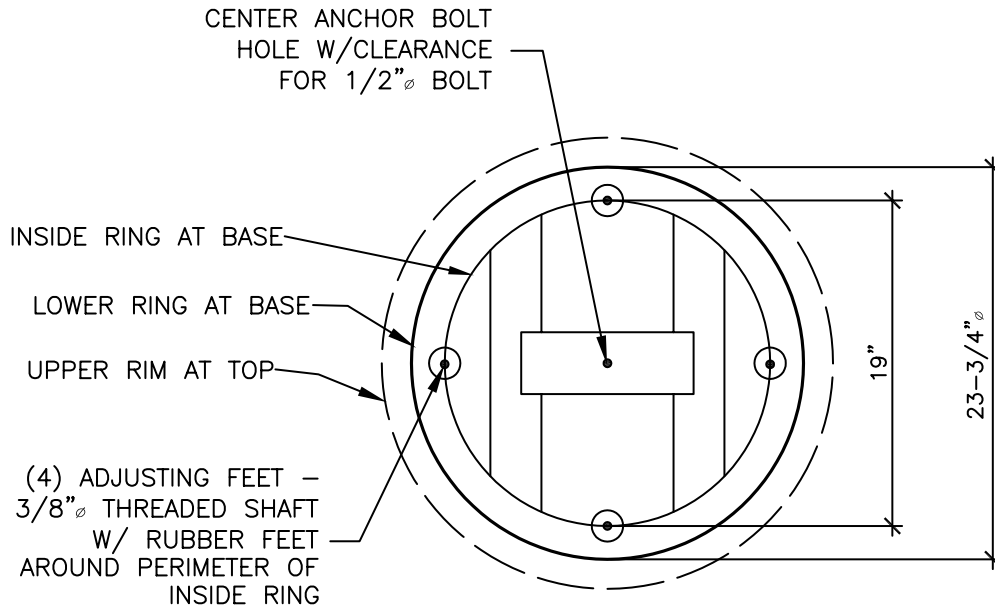
Specifications:

- 36 Gallon Capacity, side opening door, key lock
- 3/8" black powder-coated steel bars

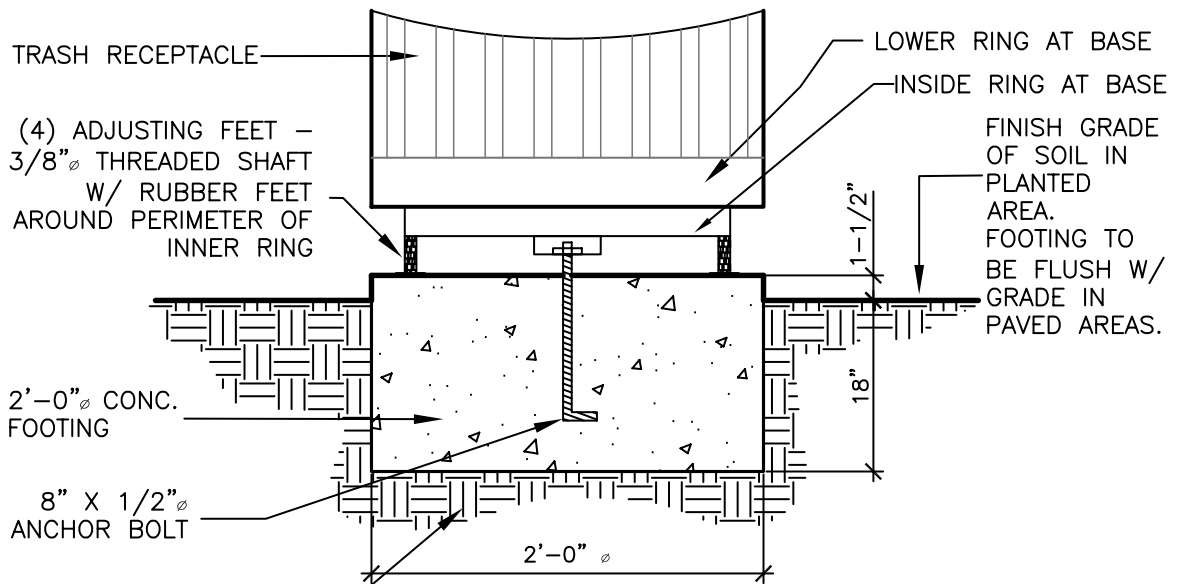
Model/Manufacturer:

Victor Stanley model #SD-42, through MJB Associates, Grass Valley, 530-272-8005 or equal with exact proportions, if approved by SU Architect/Campus Planning.





PLAN VIEW



SECTION VIEW

COMPACTED SUBGRADE

Note: Ash urn to have similar foundation

C:\PLAN-SERV\CAD_PLANNING\2CAMPUSSTANDARDS\SITEFURNISHINGS\CURRENTSPECS\FOOTING_TRASH.DWG



CONCRETE FOOTING AT TRASH RECEPTACLE

Scale: not to scale

Stanford University Architect/Planning Office
Standard Campus Site Furnishings Guidelines

Updated: 7/30/2003

Superseded: 1/22/2003

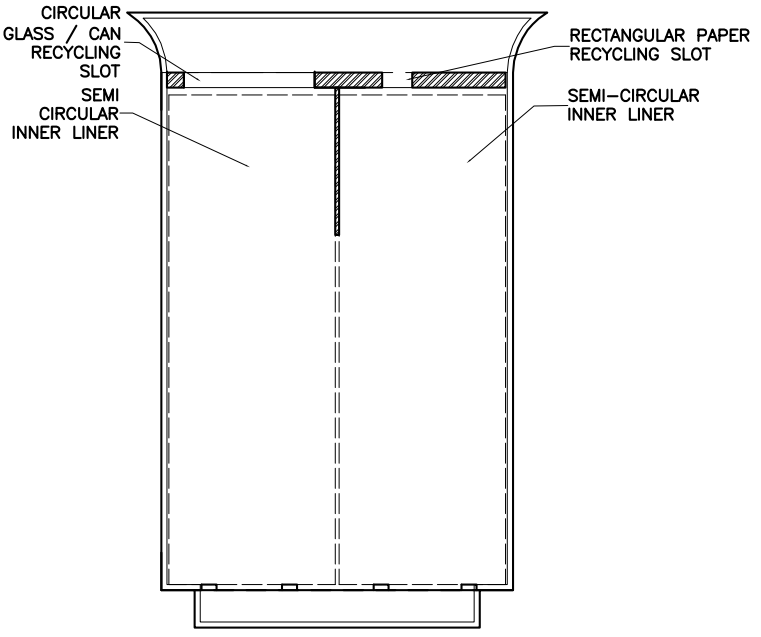
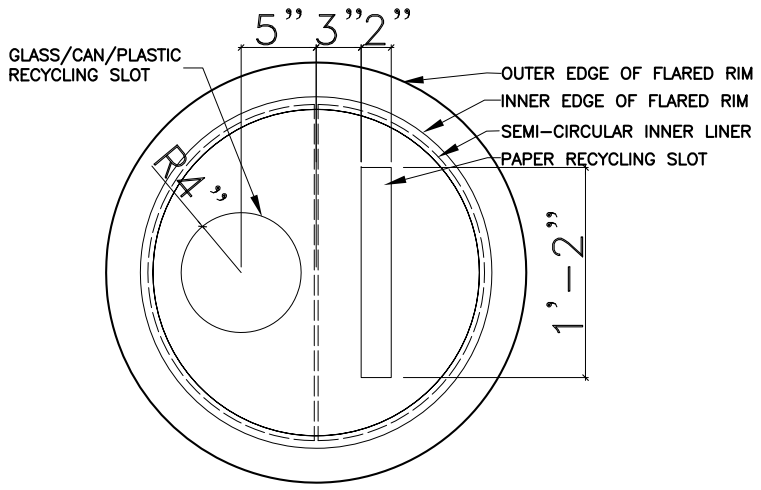
Recycle Receptacle -

Consistent with Stanford's commitment to sustainability the new standard recycling receptacle container (when paired with trash receptacles) will facilitate easy recycling of paper / glass / plastic containers and cans. Featuring multi-use lids and dual interior liners, the containers collect sorted mixed recyclables in a single receptacle. The side-opening door allows easy removal of sometimes heavy material, and suits the requirements of PSSI services, Stanford's recycling contractor. Once installed, PSSI must be immediately informed with the location of the new receptacles so that they begin collection. In most areas, recycle receptacles should be bolted into pavement or a concrete foundation using the same detail as the trash and ash. See details. The process for ordering Stanford custom recycle receptacles is new & may change. Currently, the UA / CPD Office is coordinating ordering of the receptacle kit.

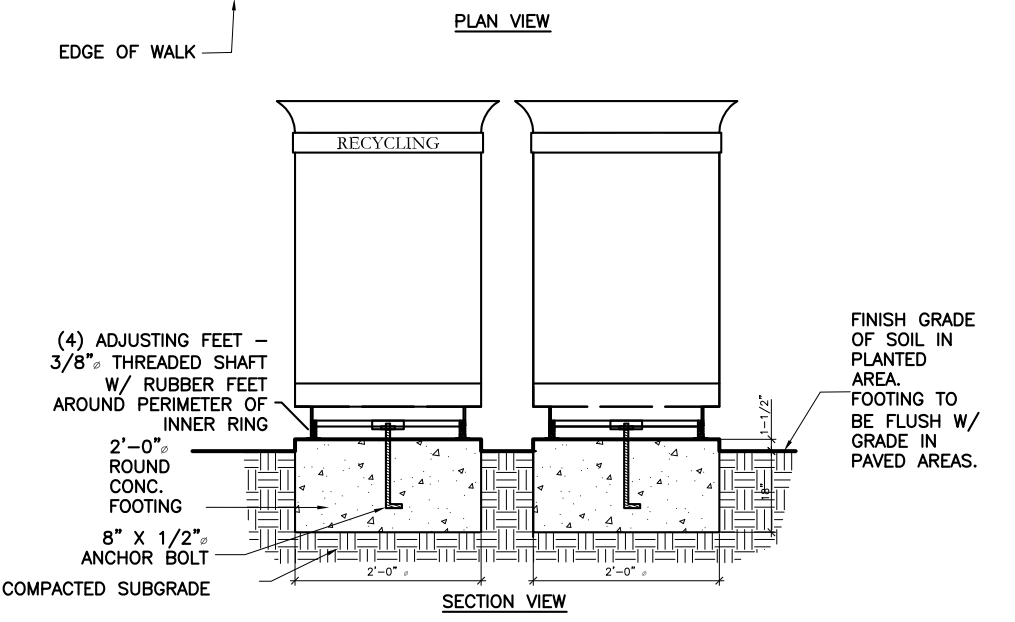
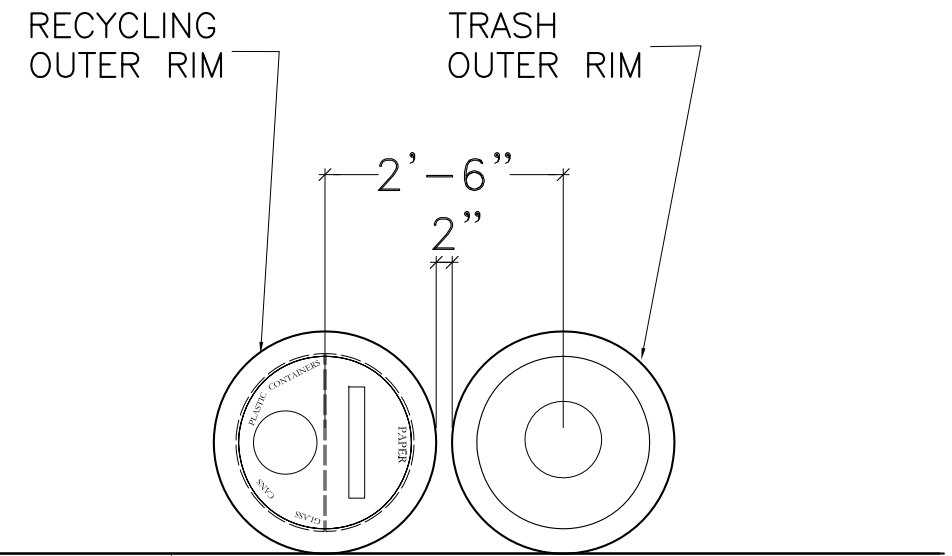
Specifications:

- **Outer Receptacle:** 36 Gallon Capacity, side opening door 3/8" black powder-coated steel bars, blue "RECYCLE" without stock lid nor inner liner. Model/Manufacturer: Victor Stanley model # SD-42, through MJB Associates, Grass Valley, 530-272-8005, or equal if approved by Stanford University Architect/Campus Planning Office. Request Stanford pricing when ordering.
- **To coordinate purchase of Complete Receptacle Kit,** Contact University Architect / Campus Planning and Design Office. Rep: Eva Rose Leavitt. email: eval@stanford.edu, ph: 650-498-7662 or Virginia Wilson ph: 650-725-7508





TYPICAL LAYOUT



CUSTOM RECYCLE RECEPTACLE LAYOUT

Stanford University Architect/Campus Planning and Design Office
 Standard Campus Construction Detail Guidelines

Scale: not to scale

Updated: 08/10/08

Superseded:

