

Dumpster Enclosures-

Stanford's standard dumpster enclosure serves to facilitate bulk trash and recyclable collection while screening unsightly refuse and containers. Enclosure walls are comprised of heavy-gauge, black, vinyl coated chain link fence panels that are supported by black metal posts and rails. Gates may be chain link or perforated metal. Final design details and siting of dumpster enclosures on campus is to be approved by the UA/CPD Office. Design of enclosures must reflect a confirmed program with the users and Stanford's trash contractor, PSSI. All enclosures shall have plant screening approved by the UA/CPD office. See Plan and Elevation details for elaboration upon the following specifications.

Specifications:

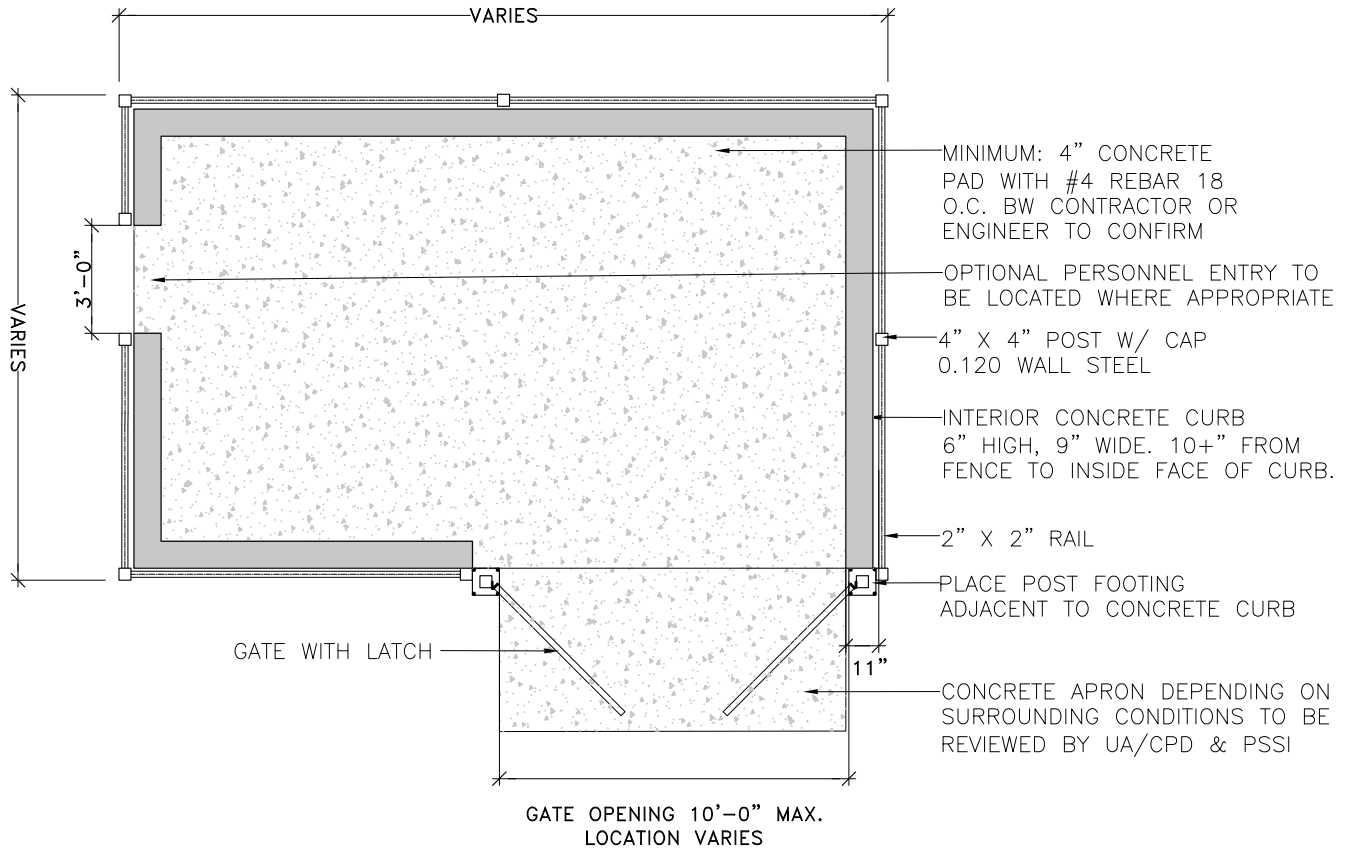
- Dimensions vary and are dependent upon program and site conditions.
- Enclosures shall be screened with black metal chain link (or vinyl) fencing. See detail sheets for specifications.
- Enclosures shall have a curb wrapping around the base of the interior to prevent dumpsters from damaging sides of enclosure. See Plan detail.
- A concrete pad that extends outward to support the front wheels of the truck (during collection) shall be laid underneath all dumpster locations. See Plan detail.
- Only dumpsters four cubic yards and smaller can be rolled out into pick areas (dismount service). All dumpsters five cubic yards and larger must have drive-at service.
- Optional personnel entries discourage gates left open and/or refuse dumped outside of the enclosure.



Black Community Services Center



Encina Commons



NOTES:

- * SEE DUMPSTER SECTION ELEVATION AND GATE ELEVATION DETAIL ALSO.
- * CONFIRM PROGRAM WITH USERS AND TRASH CONTRACTOR (PSSI)
- * DIMENSIONS VARY WITH SIZE OF DUMPSTER. SHOULD LEAVE 2" CLEAR FENCING TO CURB ON ALL SIDES OF DUMPSTER.
- * ALL ENCLOSURES TO HAVE PLANT SCREENING AS APPROVED BY SU ARCHITECT/PLANNING OFFICE.
- * ALL METAL (UNLESS VINYL-COATED CHAIN LINK) TO BE PAINTED STANDARD BLACK: KELLY MOORE 1245-407 CARBON BLACK, LOW SHEEN WITH 1710 RED OXIDE PRIMER AS APPROPRIATE, OR EQUAL AS APPROVED BY SU ARCHITECT/PLANNING OFFICE.
- *POSTS TO BE 4X4 .120 WALL TUBULAR STEEL.

C:\PLAN-SERV\CAD_PLANNING\2CAMPUSSTANDARDS\SITEFURNISHINGSSTDS\DUMPSTERS\DUMPSTER_PLANVEIWWITHTEMPLATE.DWG



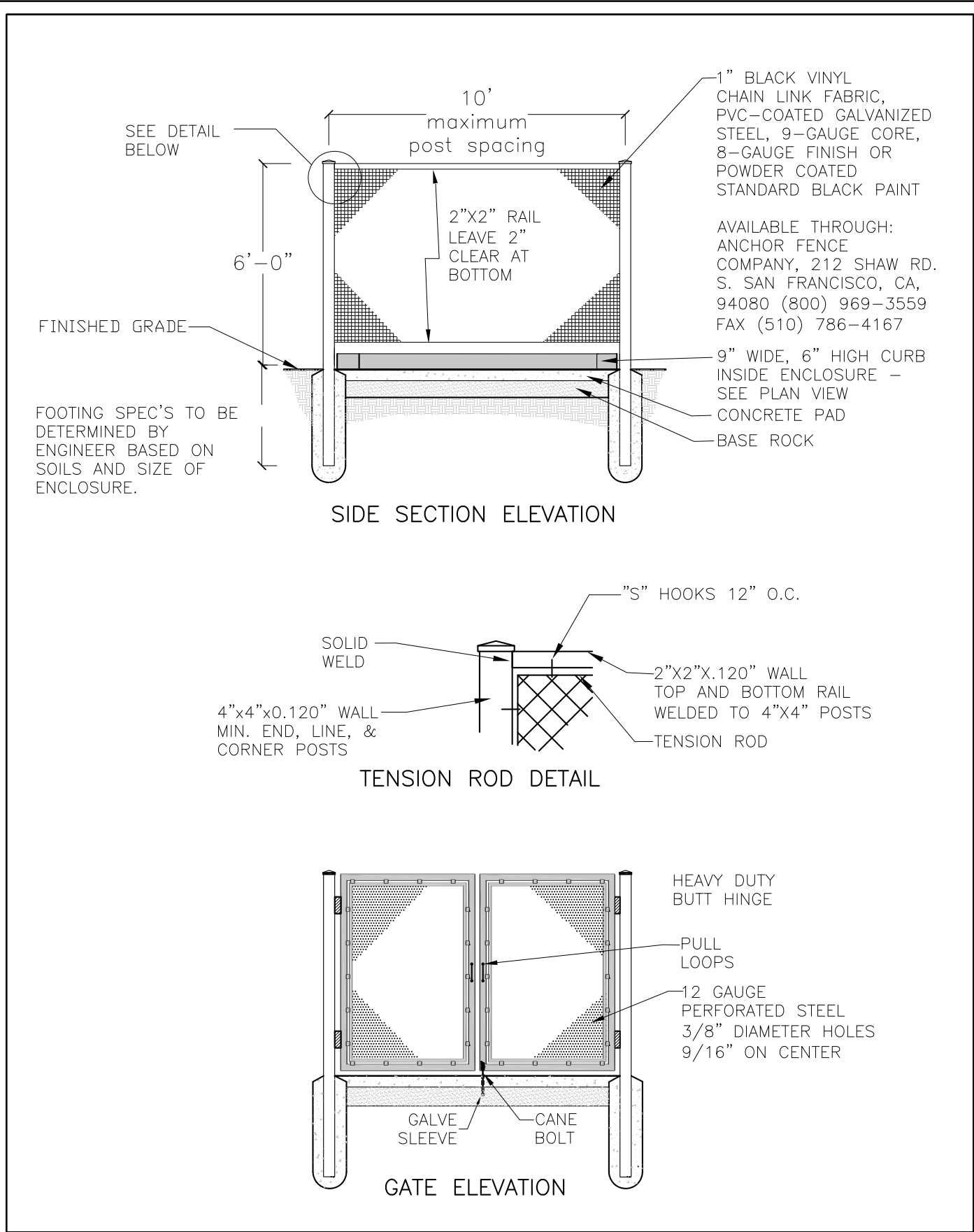
DUMPSTER ENCLOSURE

Scale: NTS

Stanford University Architect/Planning Office
Standard Campus Site Furnishings Guidelines

Page 1
of 2

Updated: 04/13/09
Superseded: 08/21/08



C:\PLAN-SERV\CAD_PLANNING\2CAMPUSSTANDARDS\SITEFURNISHINGSSTDS\DUMPSTERS\GATEANDSIDE.DWG



DUMPSTER ENCLOSURE

Scale: NTS

Stanford University Architect/Planning Office
Standard Campus Site Furnishings Guidelines

Page 2
of 2

Updated: 06/04/08

Superseded: 12/20/07